

Dining

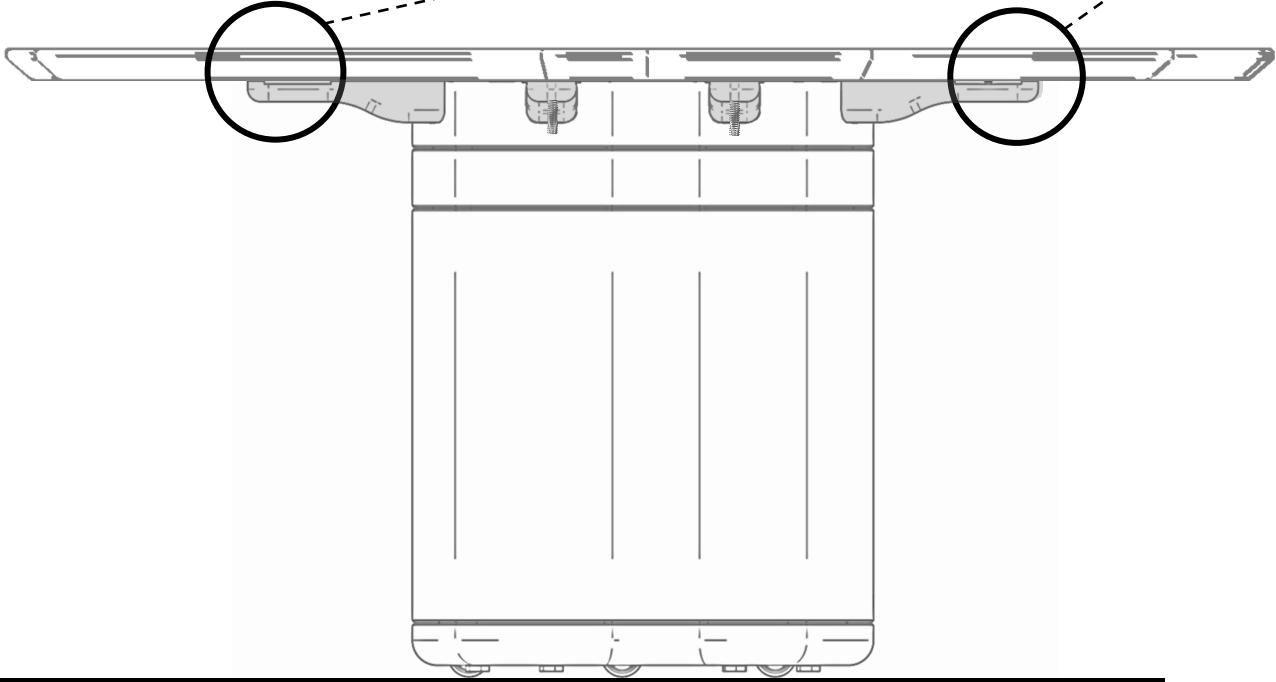
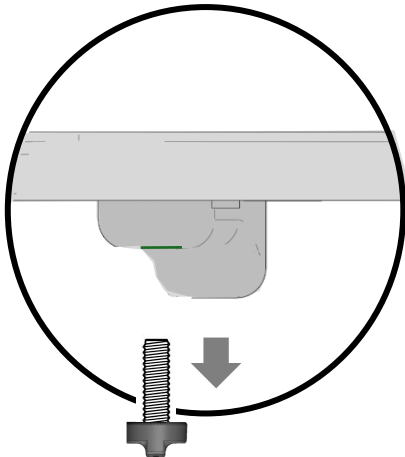
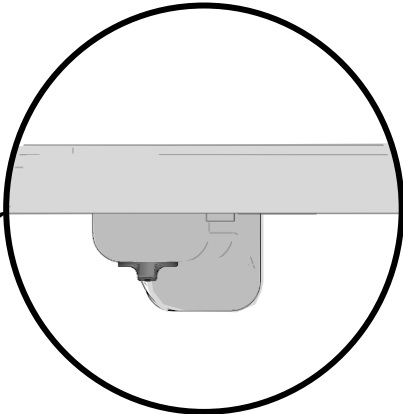
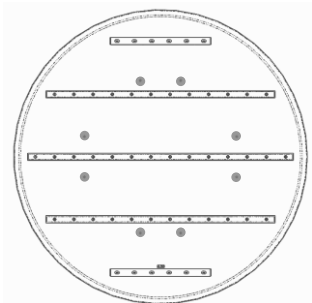


Low dining

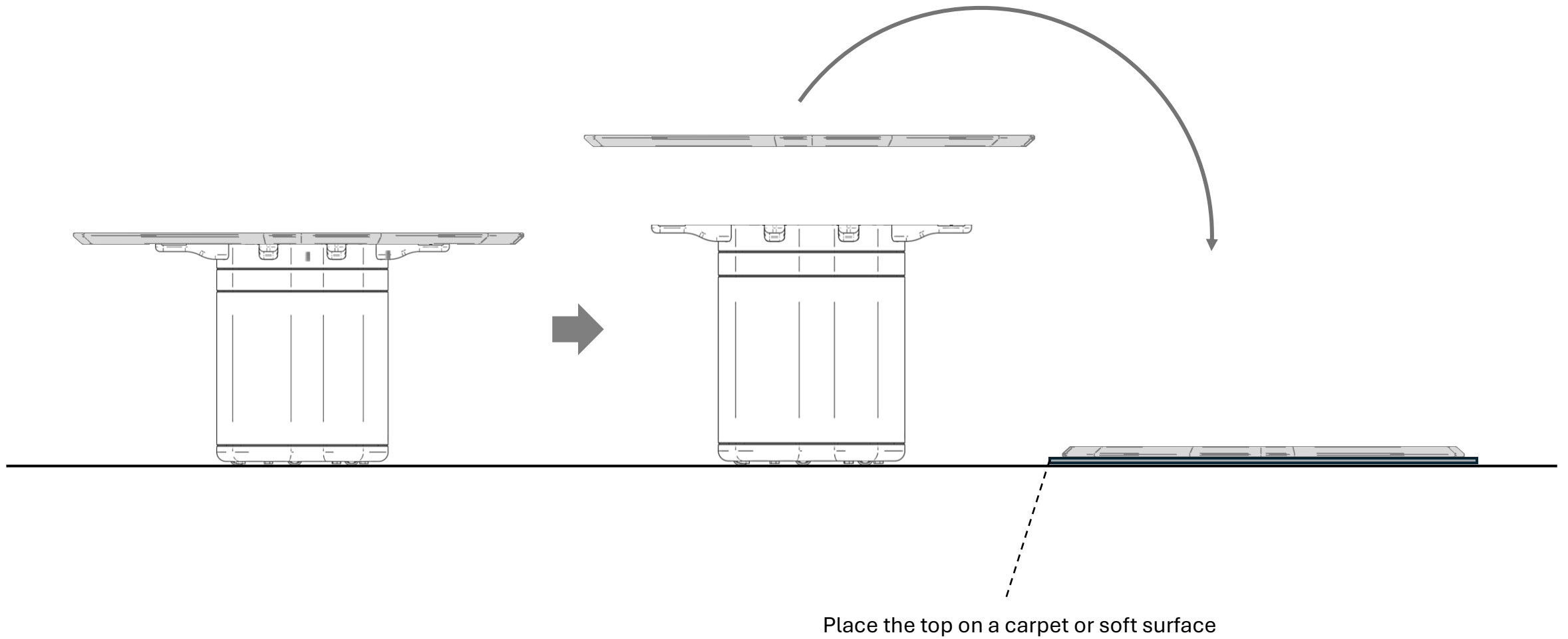


Step 1: Remove the 8 thumbscrews from the APR100x100

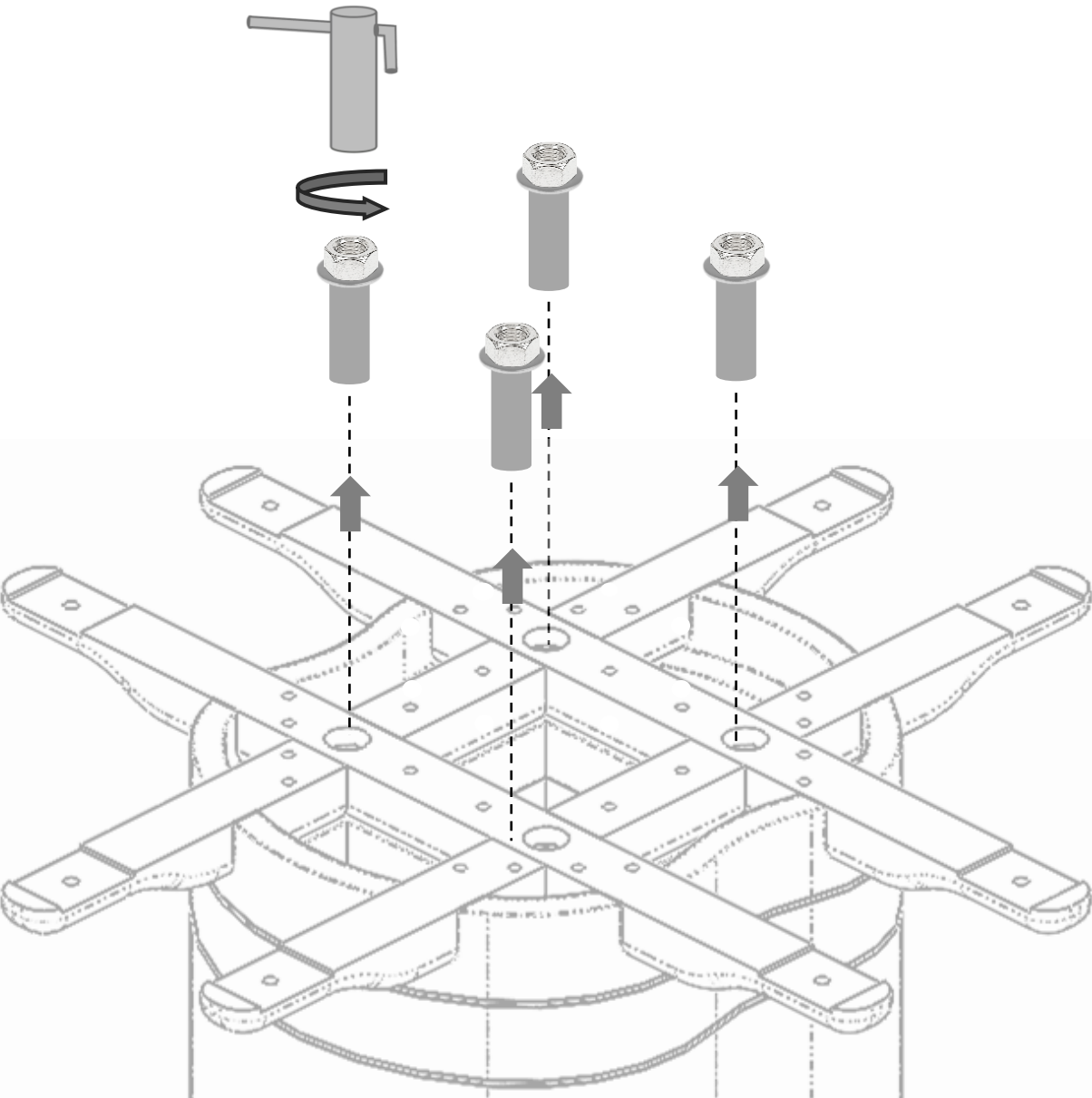
x8



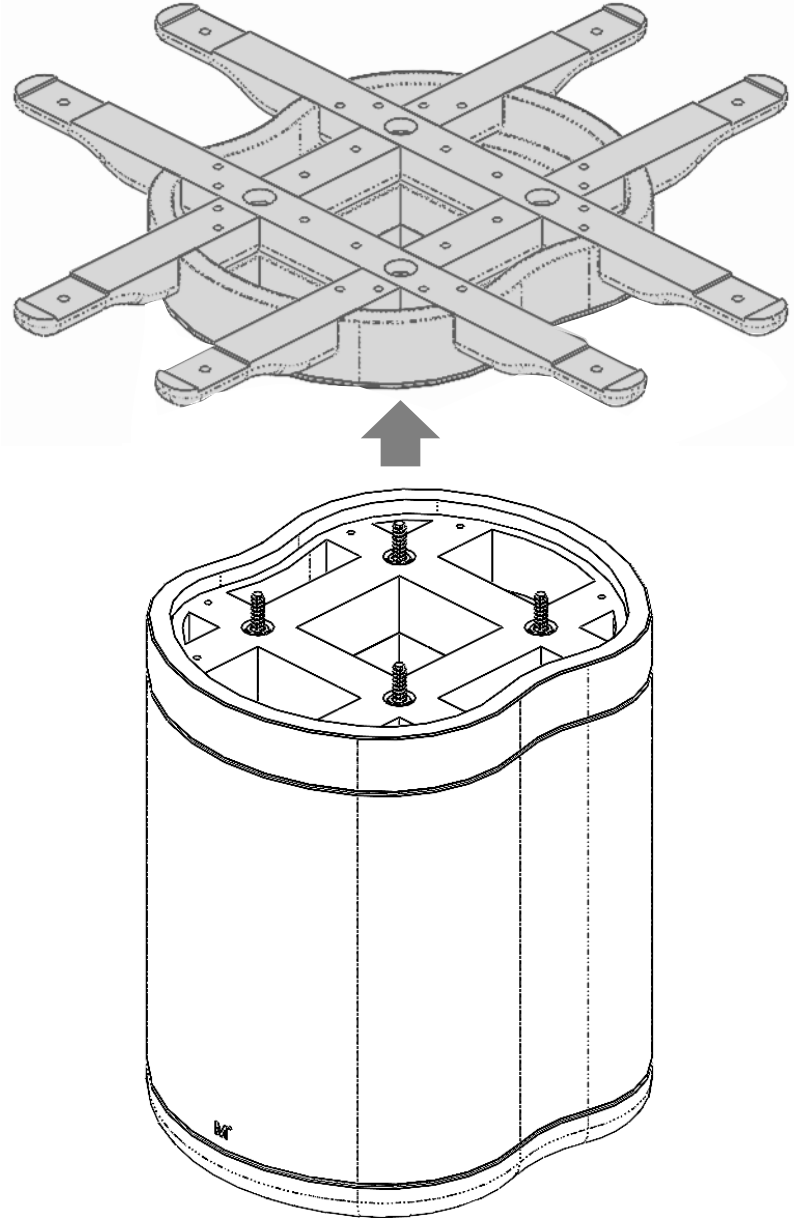
Step 2: Remove the top and place it on a soft surface.



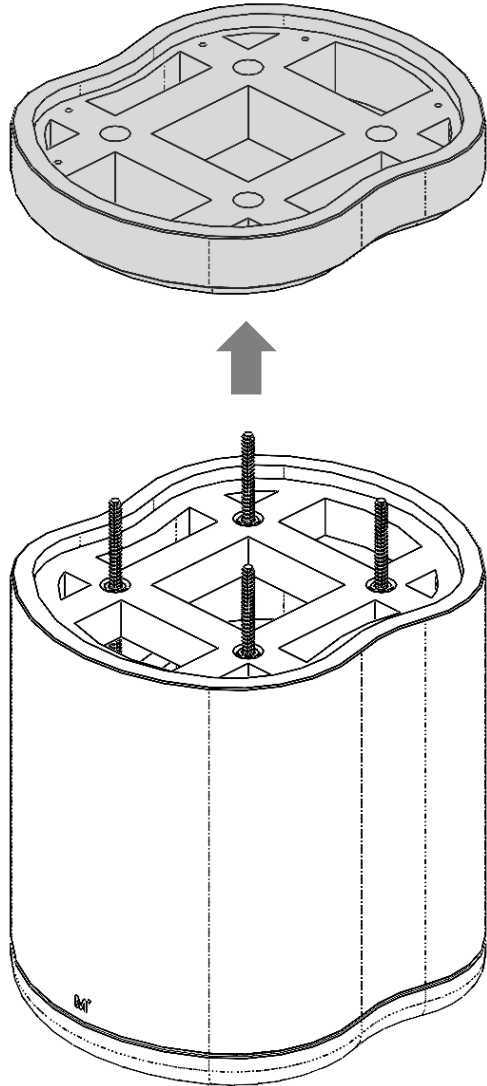
Step 3: Remove the 4 long bolts with the socket wrench



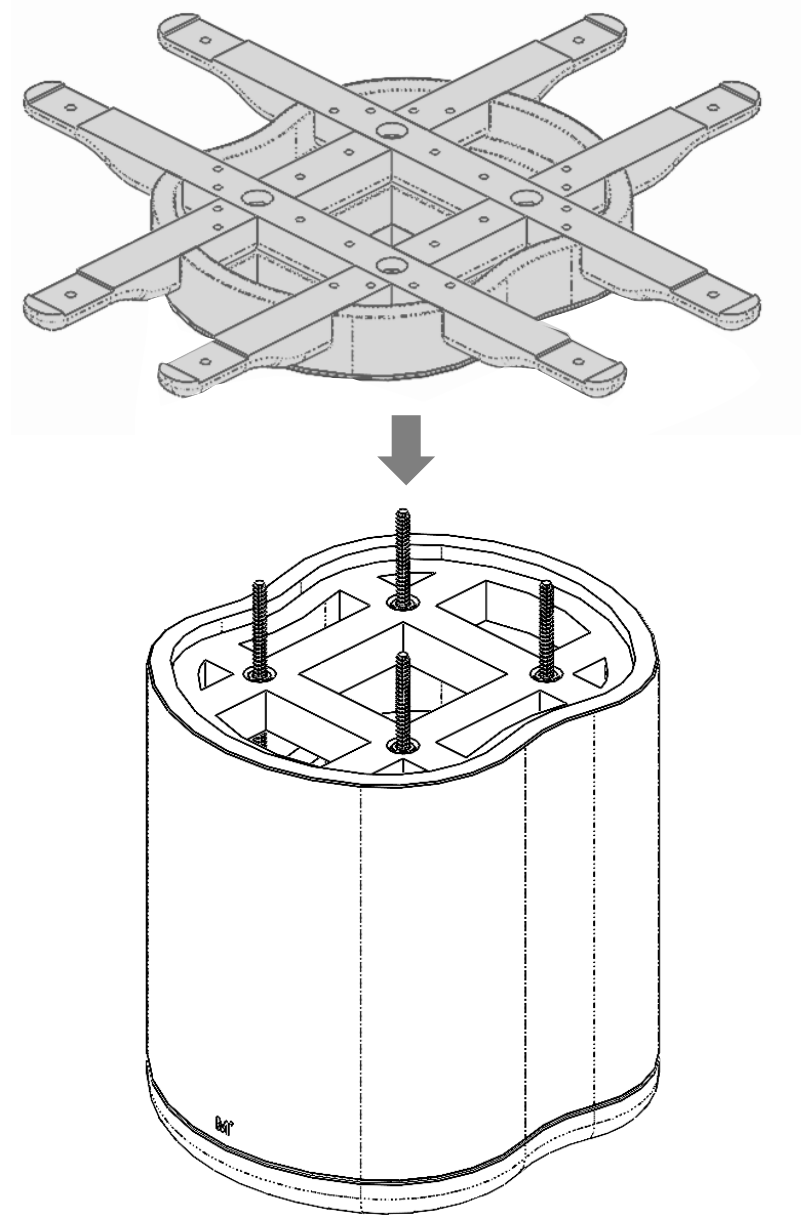
Step 4: Remove the top part of the Ogado



Step 5: Remove the adaptor ring from the shell
(make sure you store this ring somewhere safe, this part is **unique to every base**)



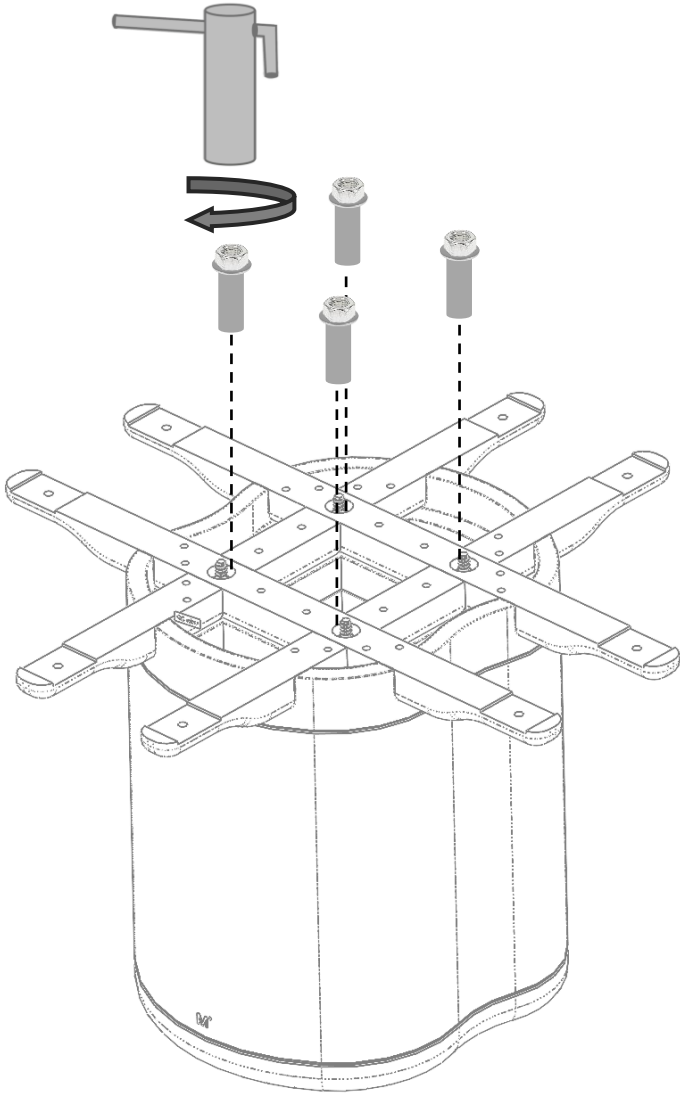
Step 6: Add the top part of the base with the APR100X100 again on the shell



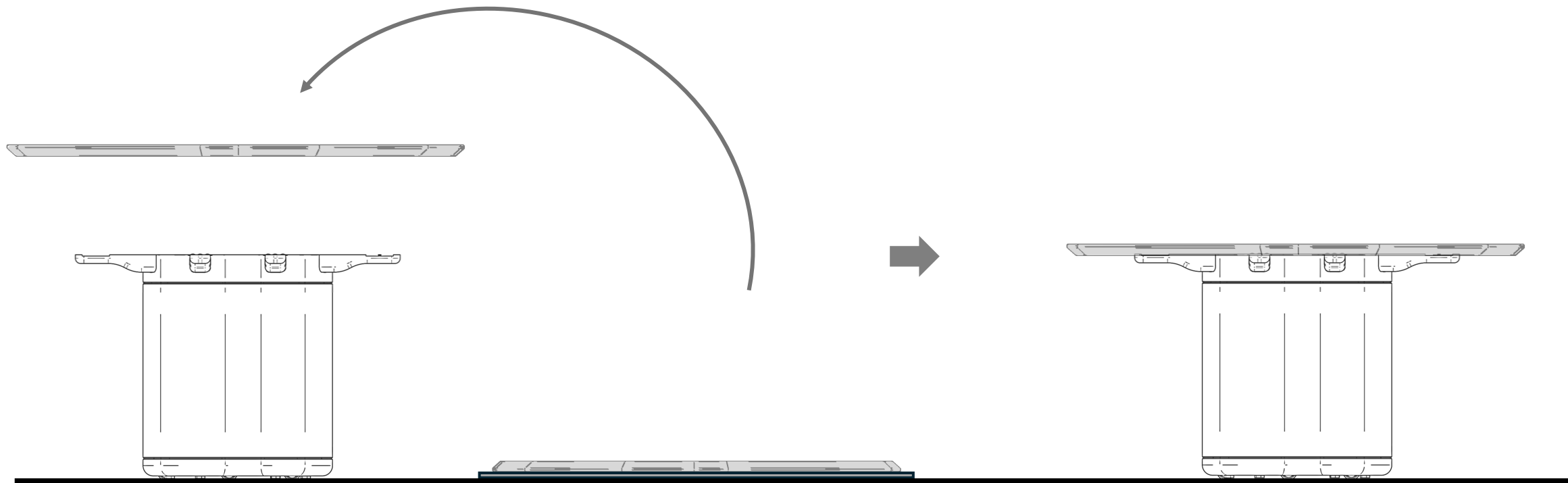
Step 7: screw the long bolts back on to the thread with the wrench tool



X4

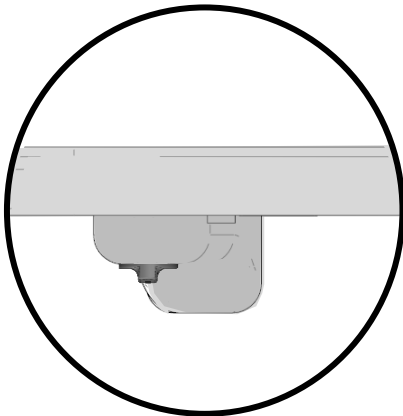
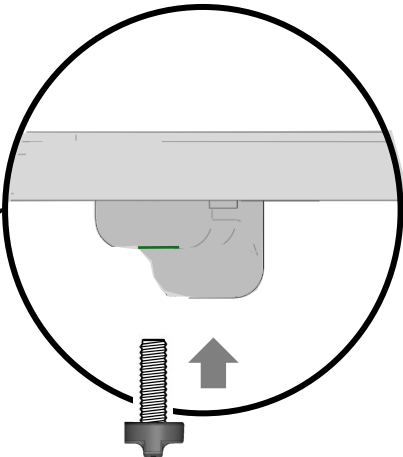
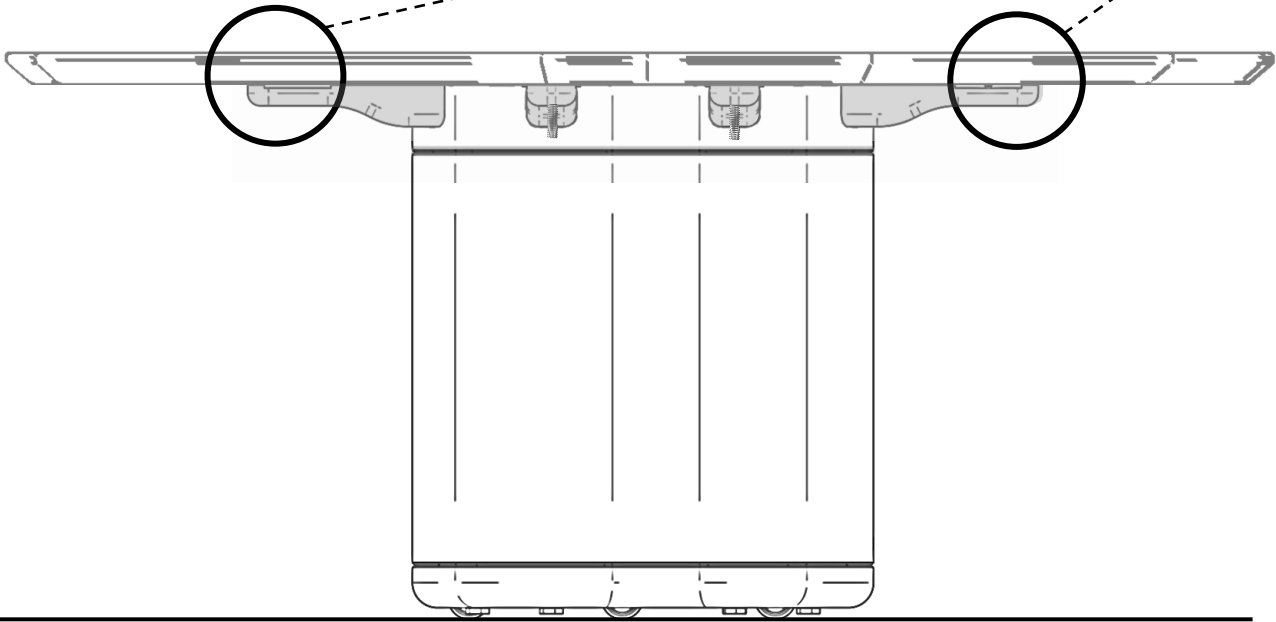
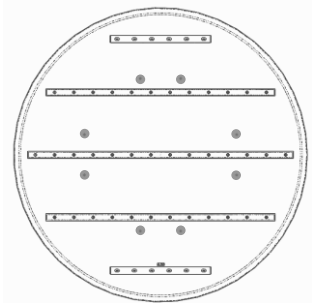


Step 8: Place the top and place it on a soft surface.



Step 9: Screw the 8 thumbscrews on the APR100x100

x8



Enjoy the Manutti outdoor moments with Ogadó

