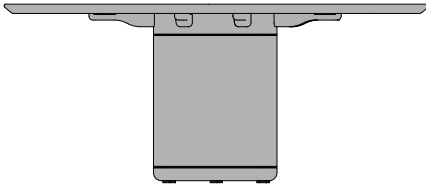


Manutti

Ogado

**Round dining table
with ceramic or teak top**

instruction manual



Index

Intro	4
Assembly notice	5
Necessary packaging & hardware	6
Ogado round dining table: Table base	6
Ogado round dining table: Table top	7
Included Hardware	8
Needed tools	9
How to assemble the Ogado table base	10
Unpacking the Ogado legs and apron	10
Assemble Apron 100×100 on the leg	14
How to install the teak tabletop	19
How to install the ceramic tabletop	23
Maintenance & Safety	27

Ogado - designed by Brent De Meulenaere

Inspired by the fusion of nature's elegance and timeless design, the Ogado table collection invites you to enjoy the beauty of organic shapes and inviting textures. Crafted with high-end precision and careful attention to detail, each piece reflects the graceful lines found in nature, from the flowing tabletops in ceramic or teak to the unique, sculpted wooden bases inspired by natural forms. Find tranquility and balance in the blend of teak wood and ceramic, creating a calm, soothing atmosphere in any outdoor space.

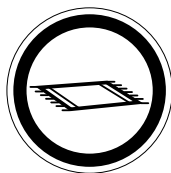
Assembly notice

For Ogado round dining table with teak or ceramic top



WARNING:

4 people needed to assemble the Ogado round dining table with teak or ceramic top.



WARNING:

To avoid any damage to the furniture, always put a blanket or carton box underneath the parts before starting the assembly.

Necessary packaging & hardware

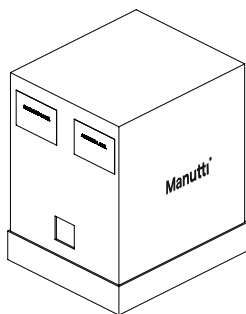
Ogado round dining table: Table base

To assemble the Ogado round dining table (table base), you will need: 1x Ogado leg and 1x Ogado apron.

OGADO LEG 55X46 Box 1/2

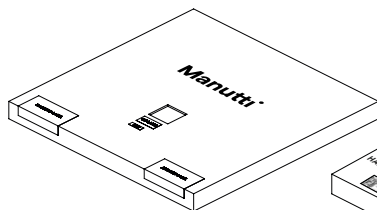


TABLE BASE



1x

OGADO APR 100X100 Box 2/2



1x

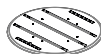


Hardware
included
(P8)

Ogado round dining table: Table top

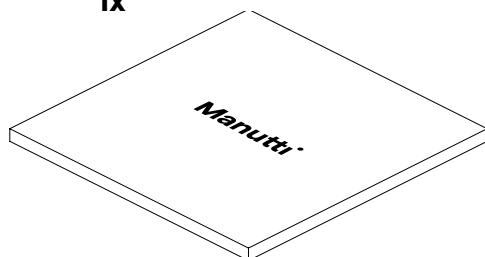
To assemble the Ogado round dining table (table top), you will need:
1x Ogado teak top (Ø160) or 1x Ogado ceramic top (Ø148 or Ø125).

OGADO TABLE TOP 160 Box 1/1



TEAK TOP

1x

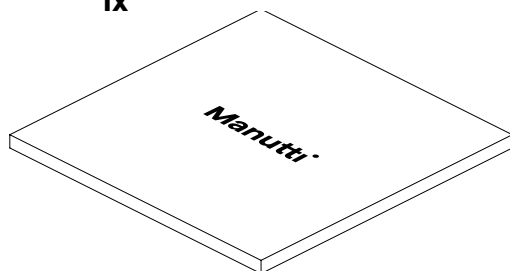


OGADO TABLE TOP 148 / 125 Box 1/1



CERAMIC TOP









1x



Included Hardware

Each box of **Ogado Apron 100×100** will include one bag of hardware. Depending on which table top you need to assemble, you may have some extra hardware.

Every hardware bag includes:

1x		Socket wrench	Use for all tops
1x		Wrench key	Use for all tops
4x		M12 long bolts	Use for all tops
16x		Wood screw 4×70	Use for all tops
2x		SS Headless bolt M8 x 70	Use only for teak tops For easy installation
2x		SS Headless bolt M5 x 70	Use only for ceramic tops For easy installation
8x		Manutti SS M8 Thumbscrew	Use only for teak tops
8x		Manutti SS M5 Thumbscrew	Use only for ceramic tops

Needed tools

Not included in hardware sets.

1x



Utility knife

1x



Screwdriver

1x

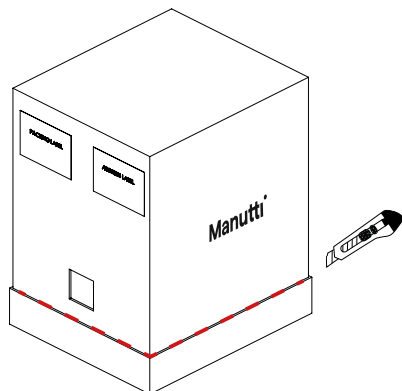


Power drill

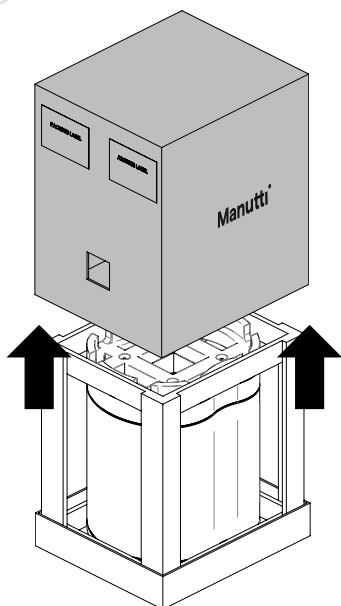
How to assemble the Ogado table base

Unpacking the Ogado legs and apron

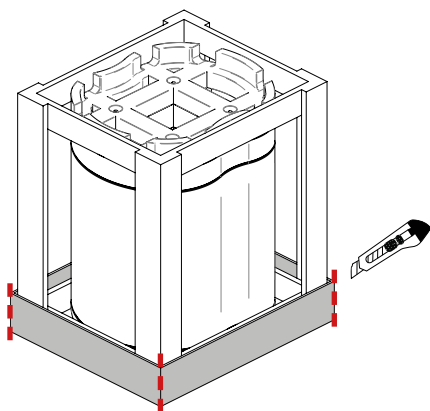
- 1 Cut through the plastic straps around the box. Then, use a utility knife to cut between the two boxes to separate the top box from the bottom one.



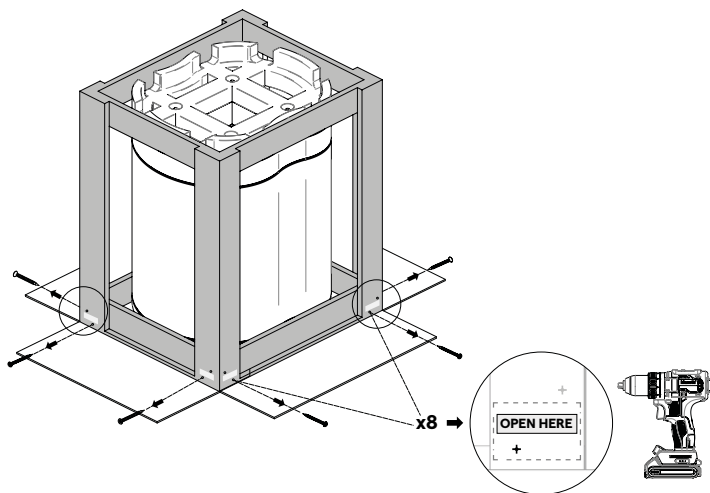
- 2 Slide the top half of the box upwards.



- 3** Cut open the four corners of the bottom half.

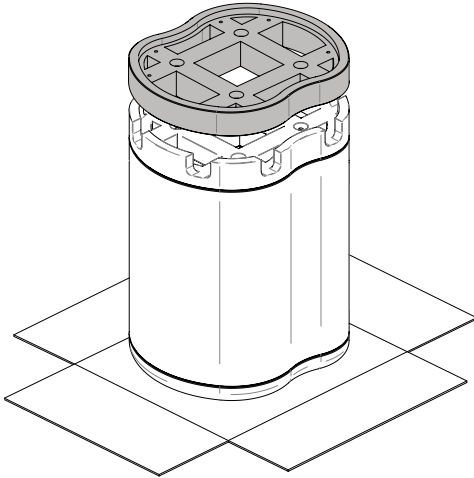
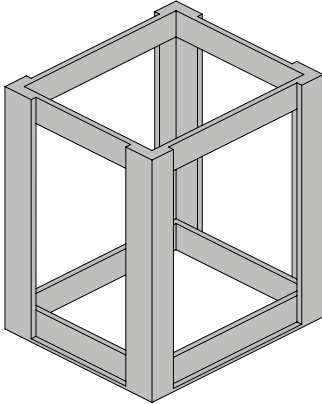


- 4** Remove the 8 screws from the bottom plate of the wooden frame.



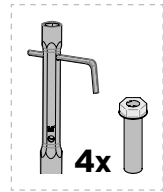
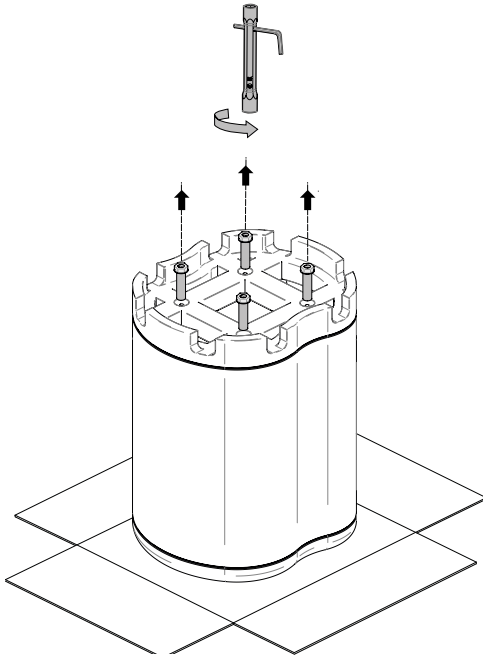
5

Remove wooden crate for easy unpacking and remove the adaptor ring. Make sure you store this ring somewhere safe (for later use), this part is unique to every base.



6

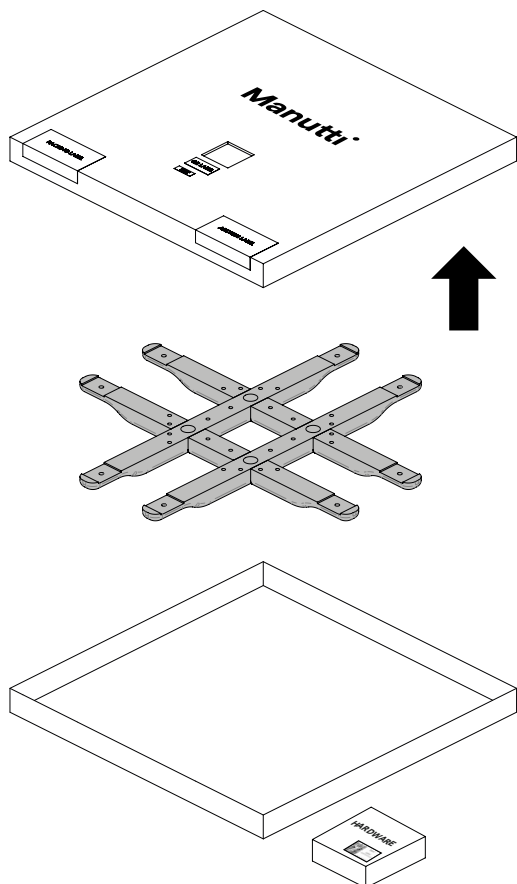
Screw the long bolts out of the Ogado base with the correct tool.



Assemble Apron 100×100 on the leg

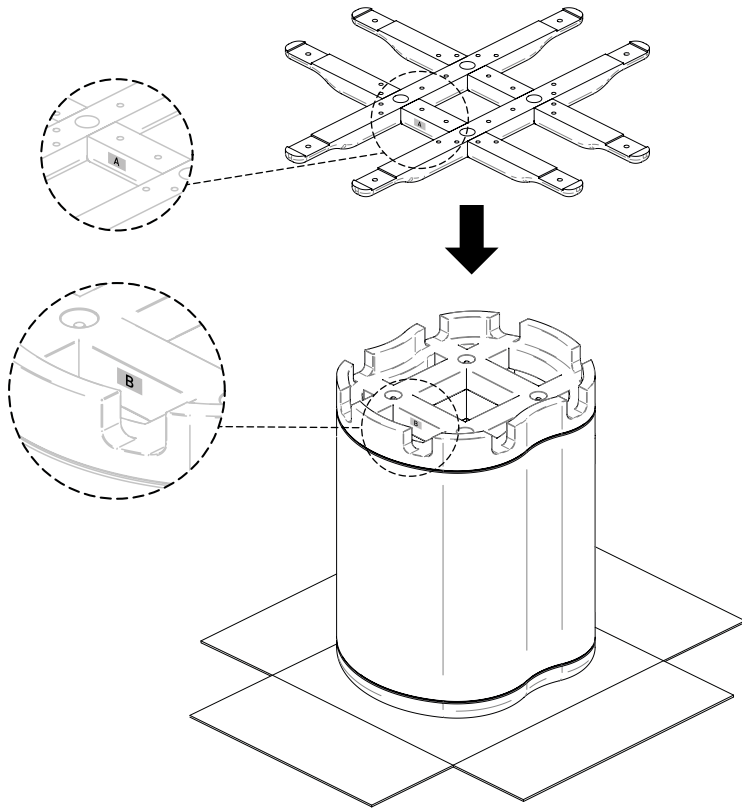
7

Take out the Crown / Apron 100×100 from the packaging.



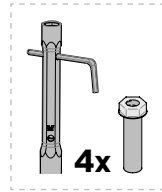
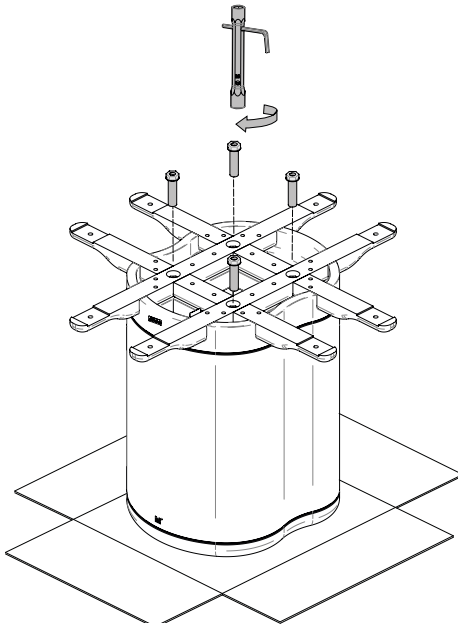
8

Place the Crown / Apron 100×100 correctly on the base (align 'A' with 'B').



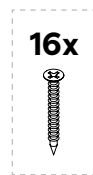
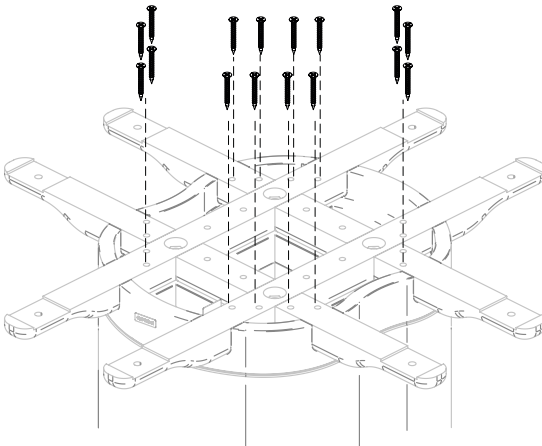
9

Screw the long bolts back on to the thread with the correct tool.

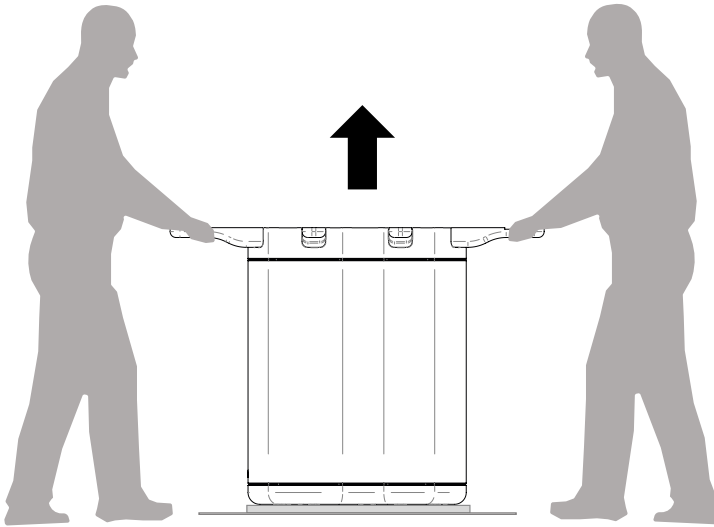


10

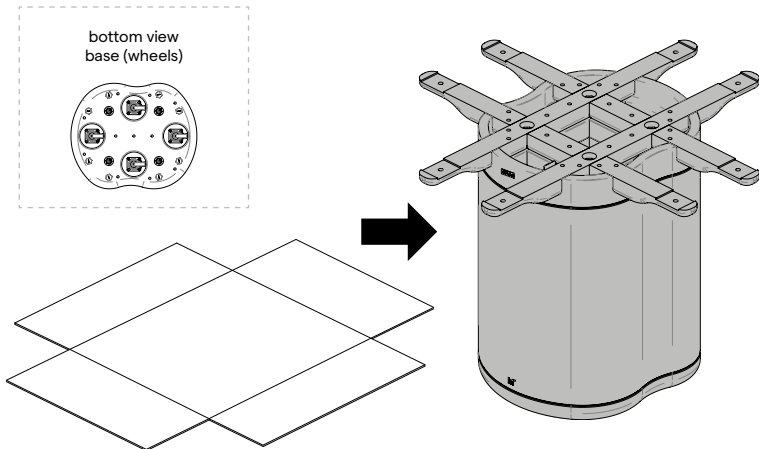
Screw the 16 wood screws in the correct holes.



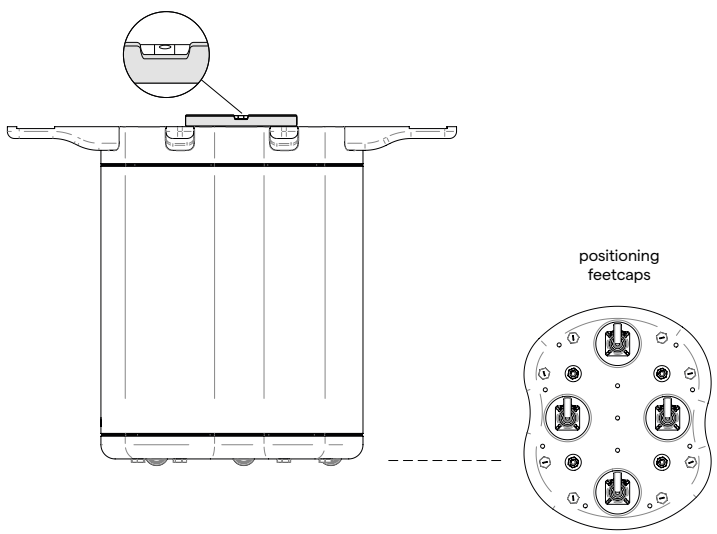
- 11** Lift the base with two people as shown on the image.



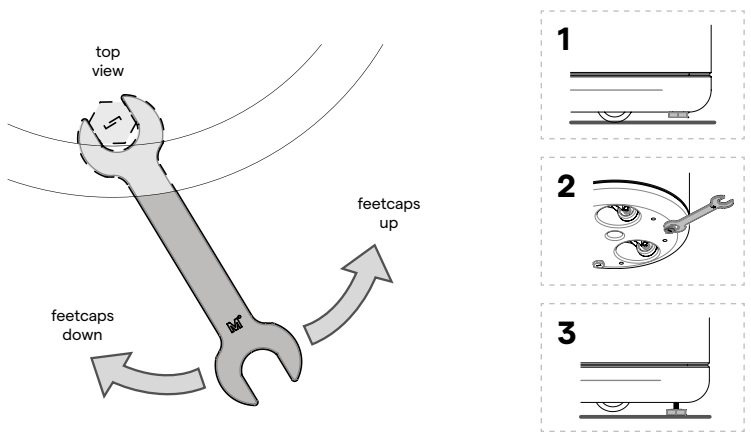
- 12** Once the base is out of the box, you can roll it around freely.



13 Level the bases with the adjustable feet caps.



Adjust **all adjustable feetcaps** until the table is perfectly level and the wheels no longer touch the floor.



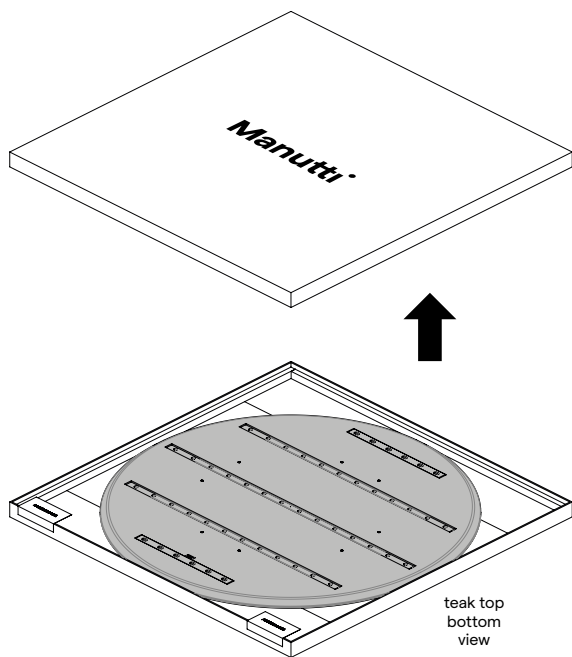
How to install the teak tabletop

For **teak tabletop** (Ø160) continue with step 14.

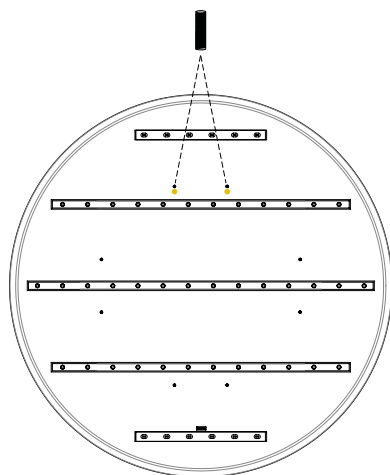
For **ceramic tabletop** (Ø148 or Ø125) go to step 18.

Installation of the teak top

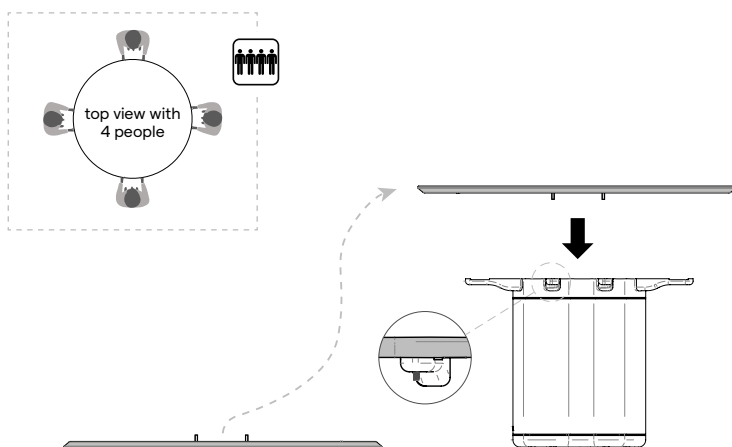
- 14 Open the packaging but leave the top in the box.



15 Install the metal rods for **easy installation** of the top.

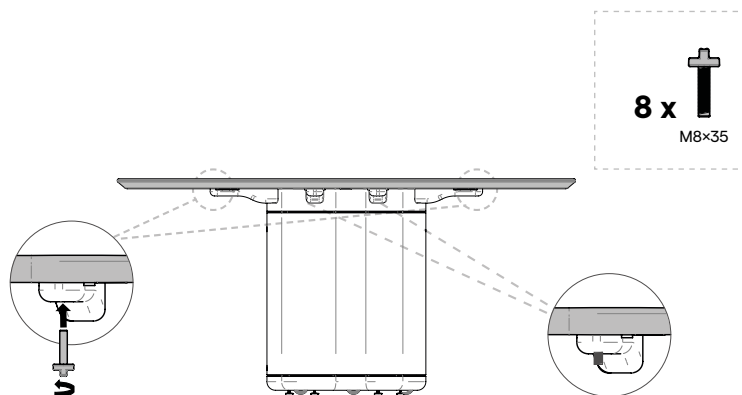


16 Take out the top, and place it on the base with min. 4 people (use the rods as a guide reference for correct installation).



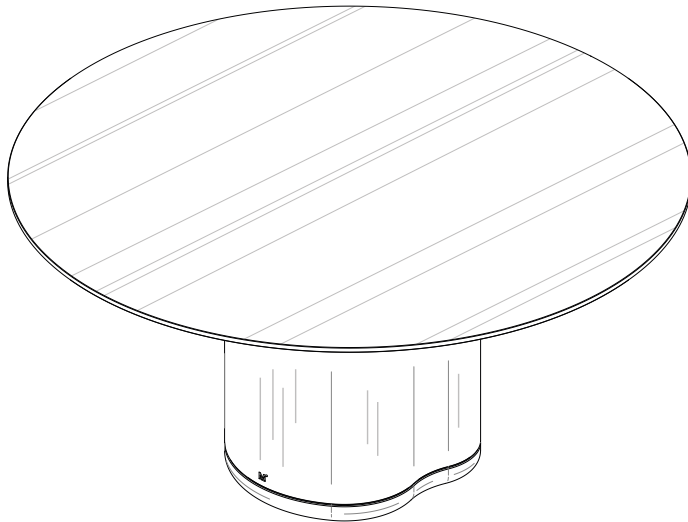
17

Assemble the base and the top by using the correct thumbscrews. After fixation of 4 thumbscrews on **both bases**, take out the metal rods and install all the thumbscrews (8 in total).



Ready to use

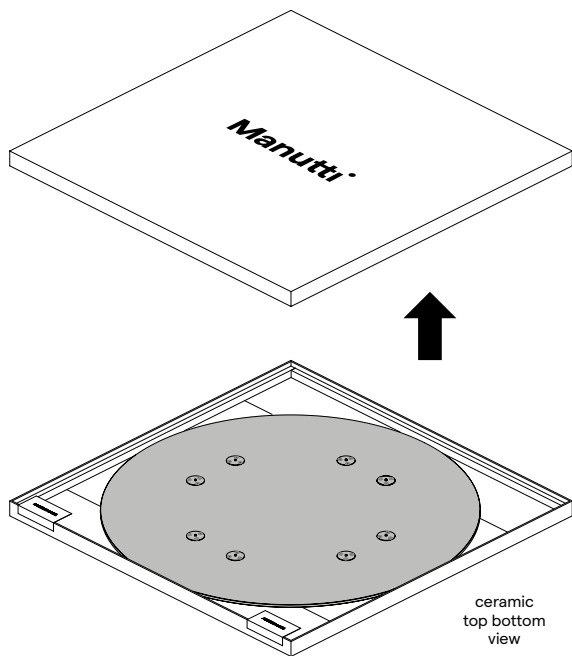
Round dining table (Ø160) with teak top



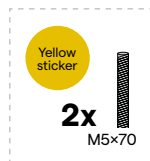
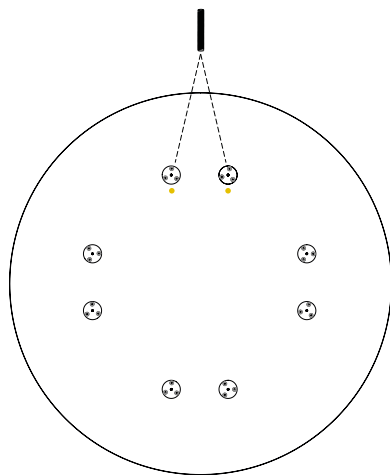
Enjoy your
outdoor moments
with **Manutti.**

How to install the ceramic tabletop

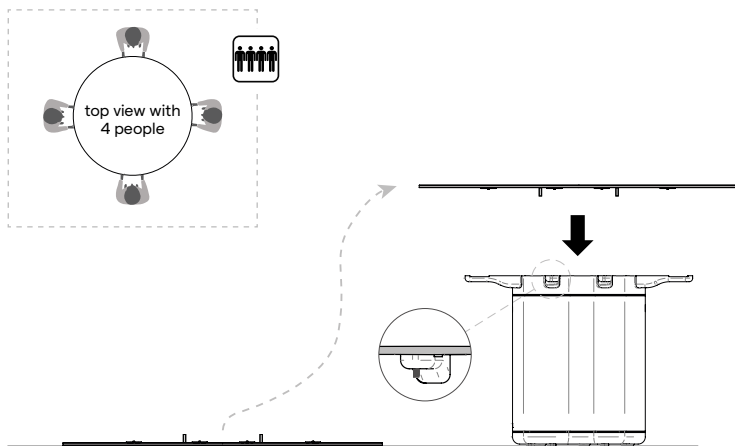
- 18 Open the packaging but leave the top in the box.



- 19 Install the metal rods for **easy installation** of the top.



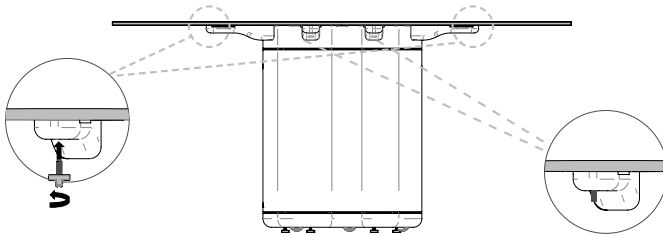
- 20 Take out the top, and place it on the base with min. 4 people (use the rods as a guide reference for correct installation).



21

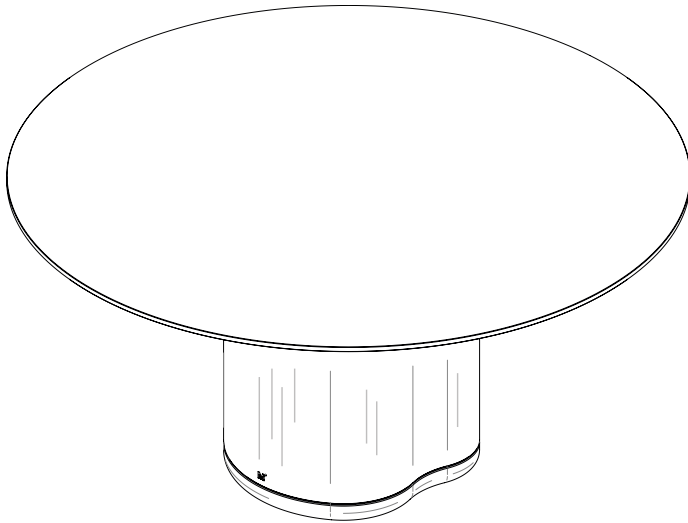
Assemble the base and the top by using the correct thumbscrews.
After fixation of 4 thumbscrews on **both bases**, take out the metal rods and install all the thumbscrews (8 in total).

8 x 
M5x14



Ready to use

Round dining table (Ø148 or Ø125)
with ceramic top



Enjoy your
outdoor moments
with **Manutti.**

Maintenance

Each Manutti creation has been manufactured with close attention to the smallest detail. We carefully select the best raw materials and finishings for your outdoor furniture, enabling it to withstand the most capricious weather conditions. To maintain and protect your Manutti pieces, we've developed a series of products that will guarantee their extended lifespan and your carefree enjoyment for many years to come.

Go to manutti.com/maintenance for more information.



WARNING:

Do not use a high pressure cleaner to clean your furniture. This may damage your furniture.

Safety

For Ogado tables



WARNING:

Do not step or stand on tables.



WARNING:

Do not sit or lean on tables.

Need more assistance?

Contact the Manutti customer service
anytime and get all your question
answered at **support@manutti.com**.

manutti.com