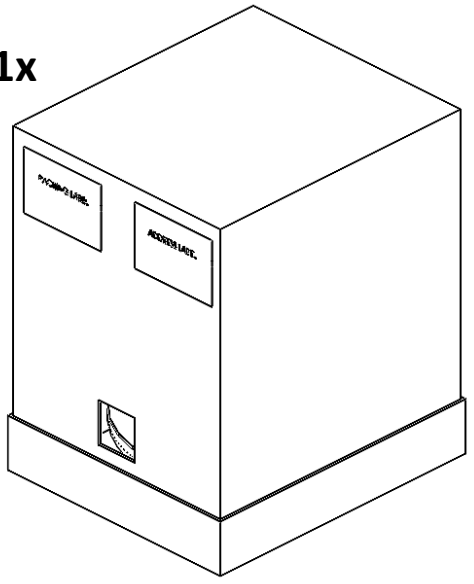


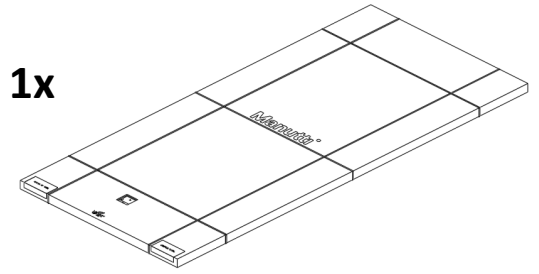
Ogado LEG55X46 Box 

1x



Ogado APR1900X950 Box 

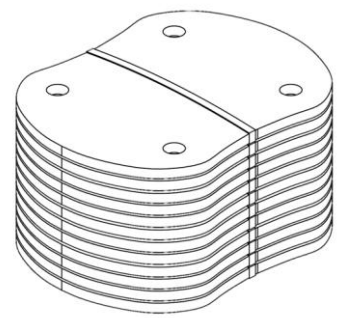
1x




Hardware incl. 

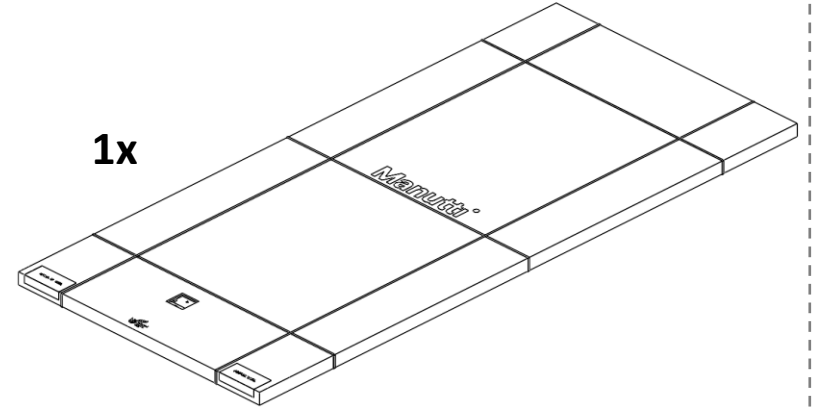
Ogado Galva. weightplate 

12x

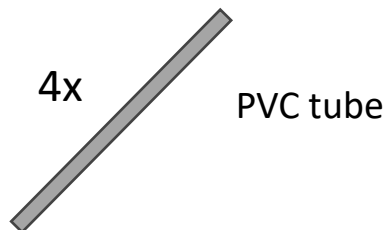
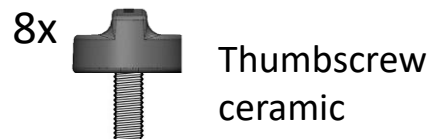
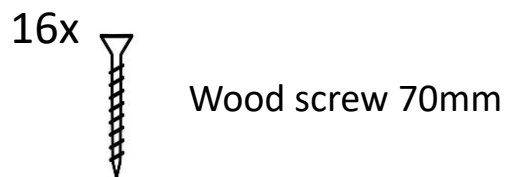
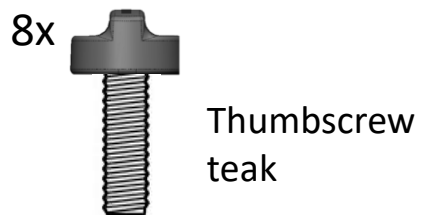
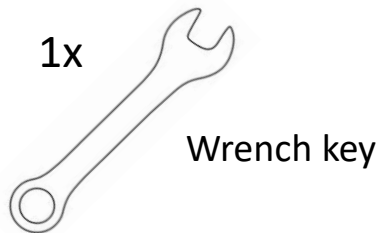


TOP280x132-BOA   
TOP230x132-BOA

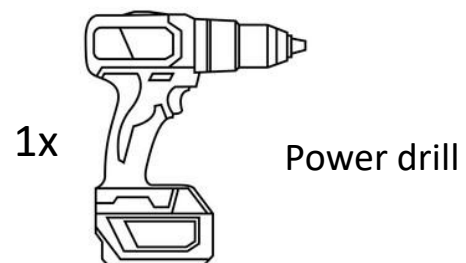
1x



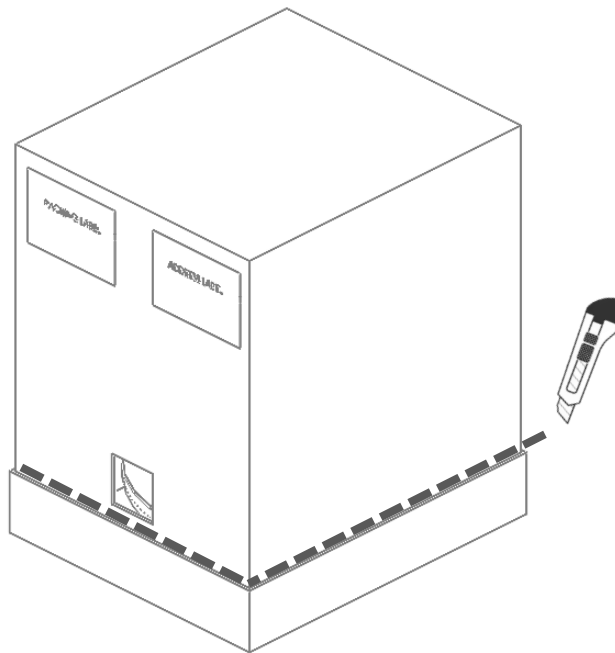
## Included hardware



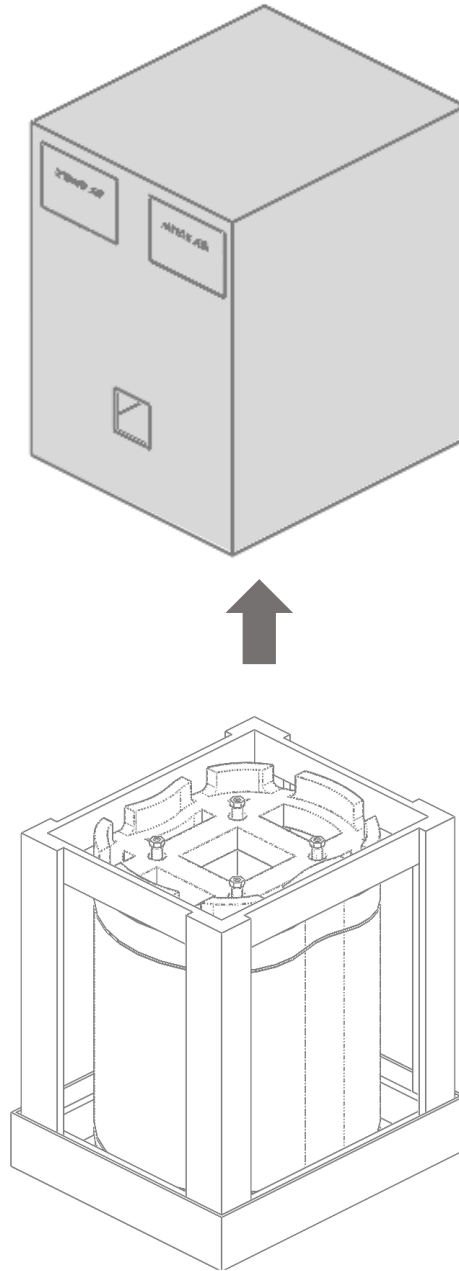
## Tools needed



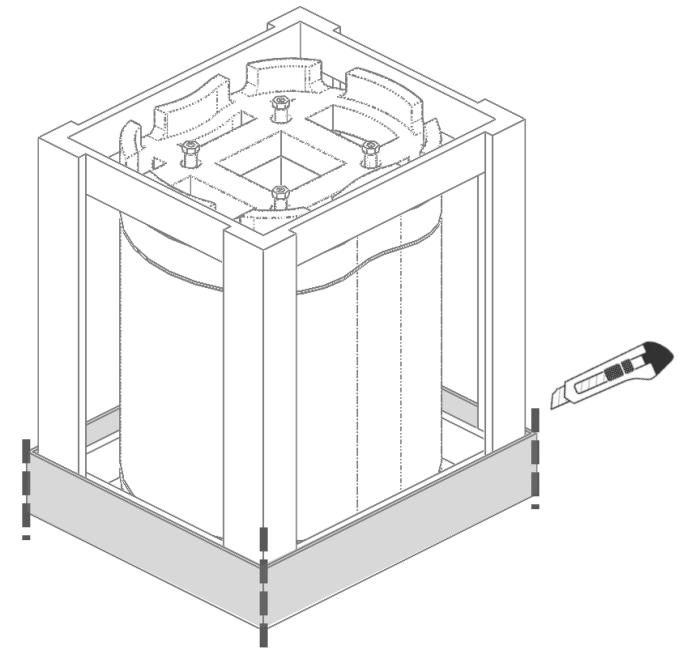
**Step 1:** cut the box on the bottom side



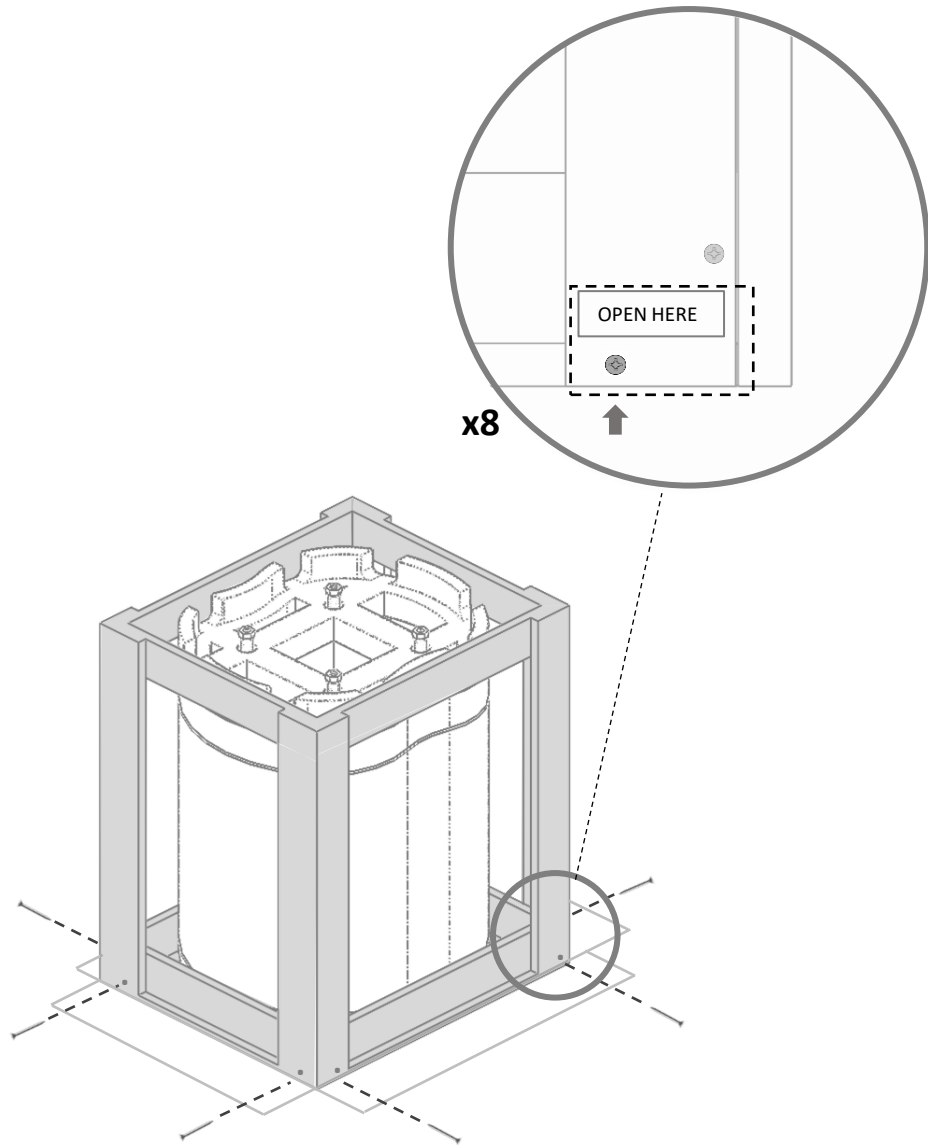
**Step 2:** slide the box upwards



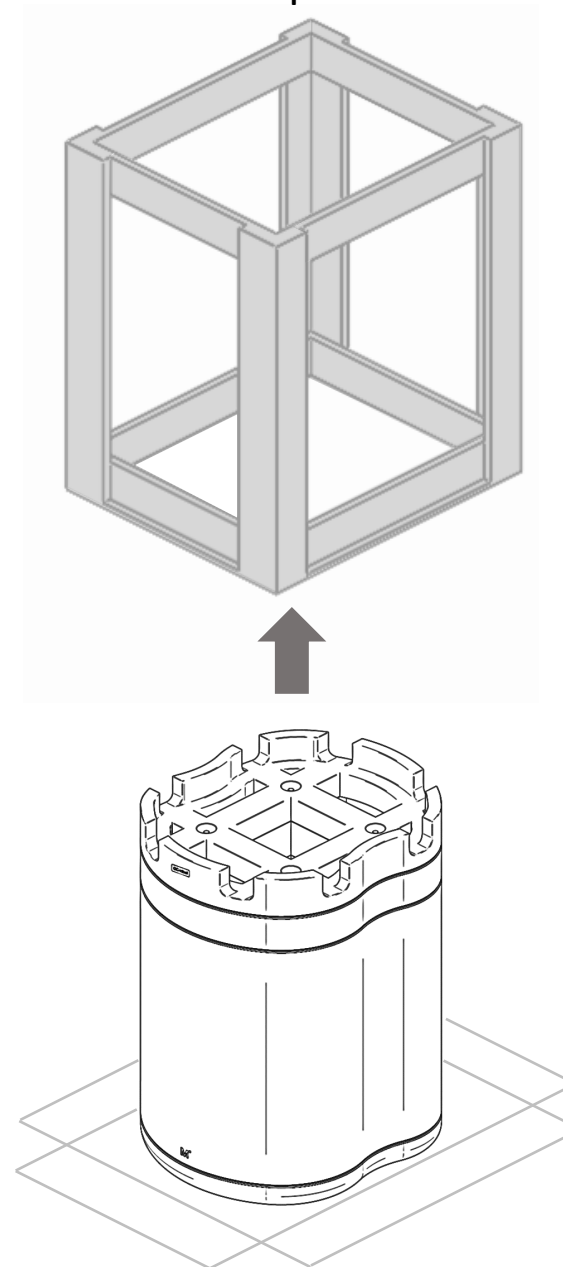
**Step 3:** Cut the border of the remaining packaging



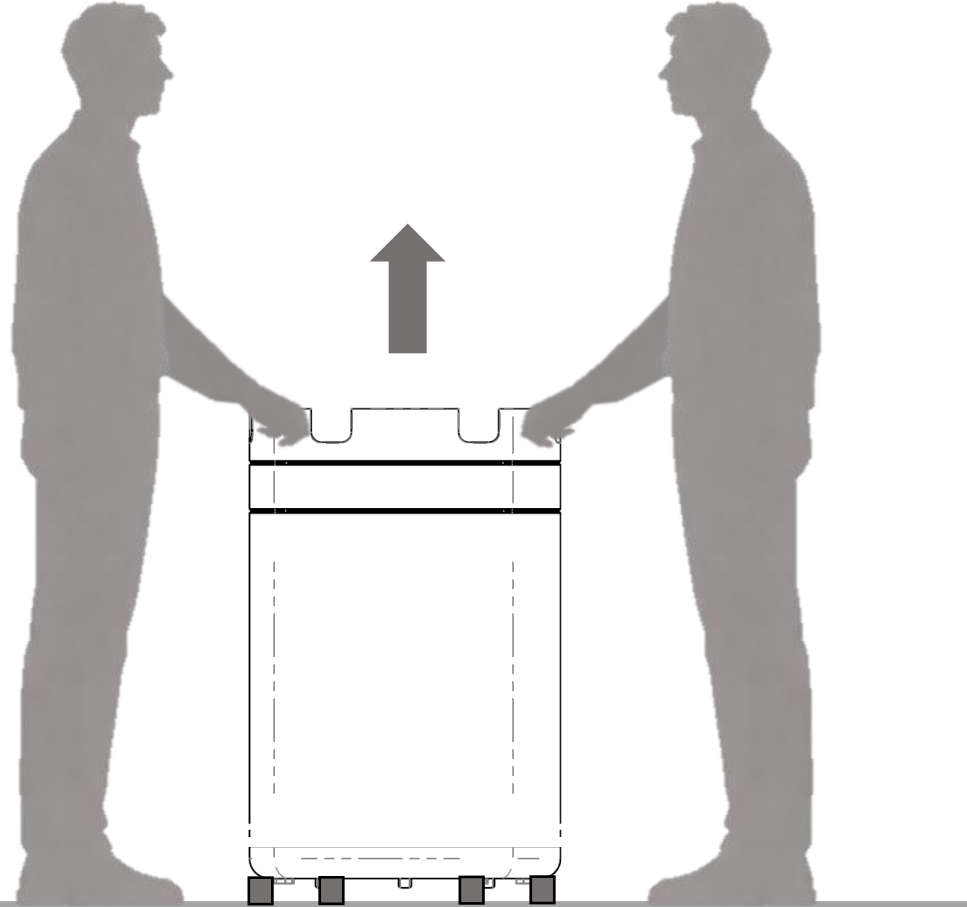
**Step 4:** Remove the 8 wood screws



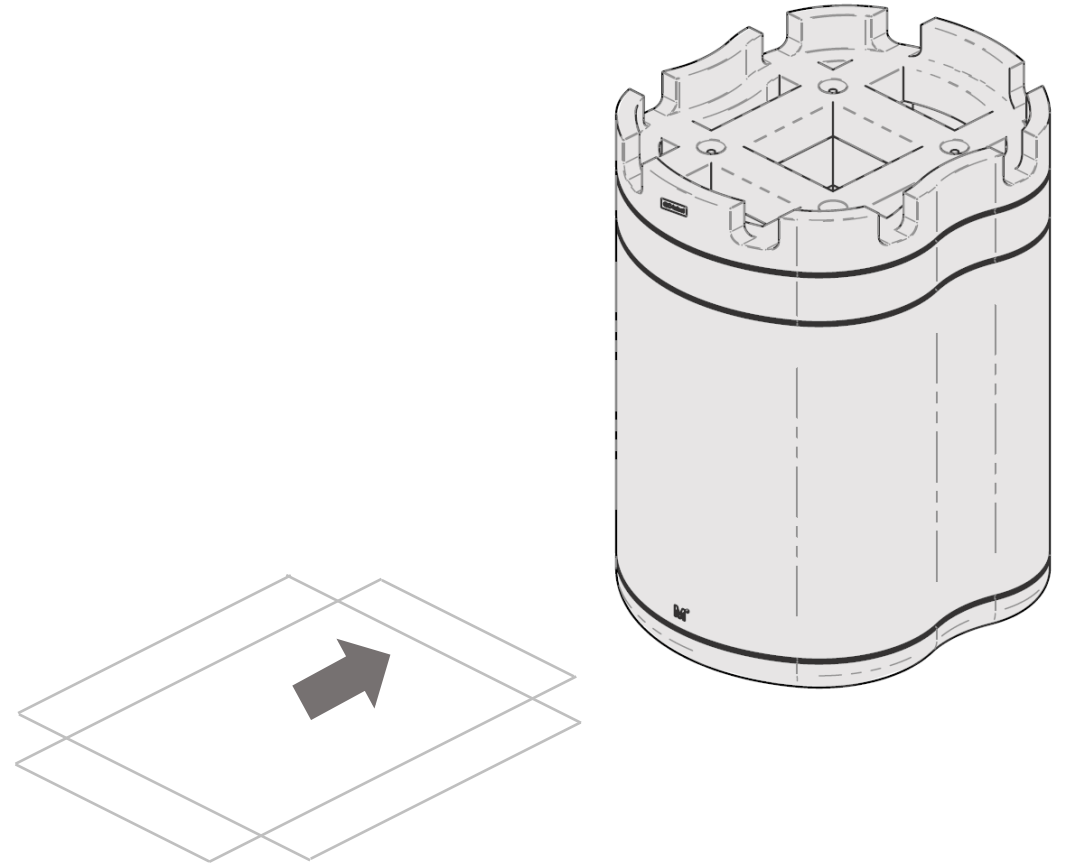
**Step 5:** Slide the wooden crate up



**Step 6:** Lift the base with 2 people off the wooden plate



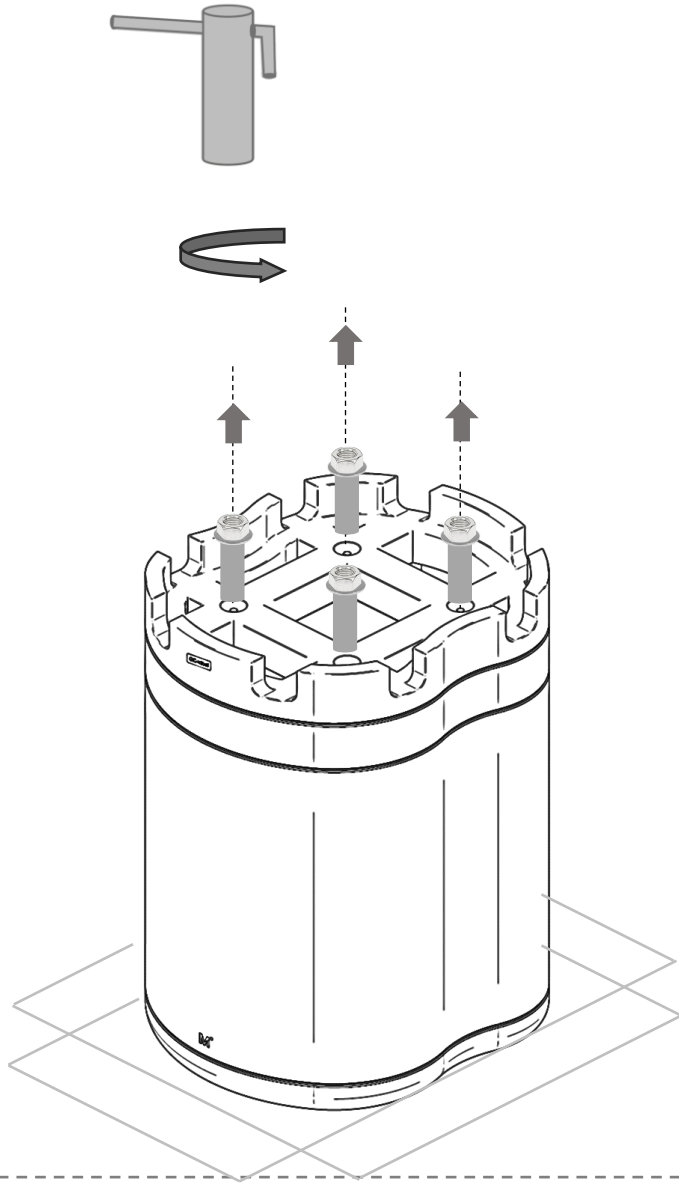
**Step 7:** Once the base off the wooden plate, you can roll it around freely. Roll it to the correct location



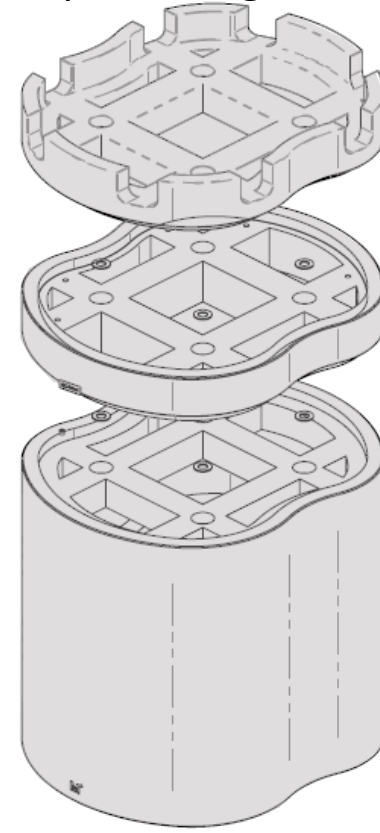
**Step 8:** screw the long bolts out the Ogado base with the socket wrench



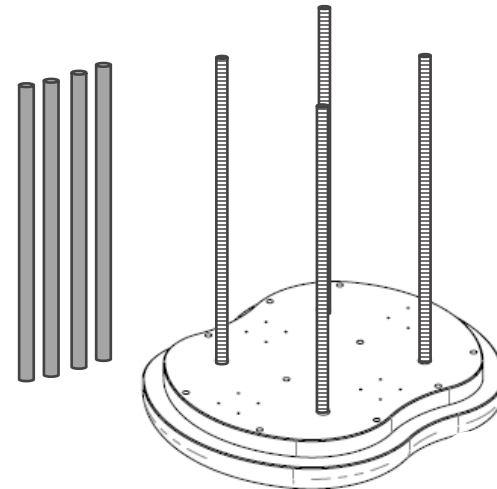
X4



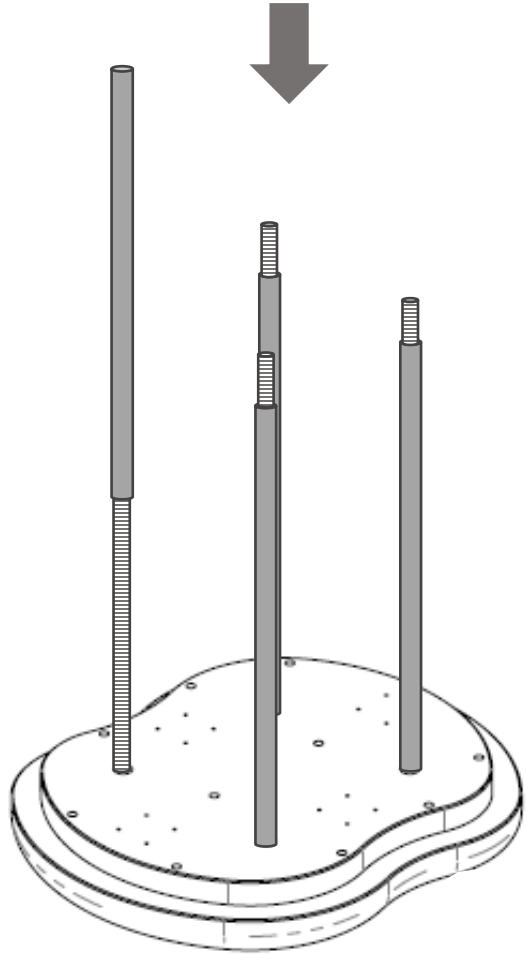
**Step 9:** Take out the top, the ring and the shell of the base.



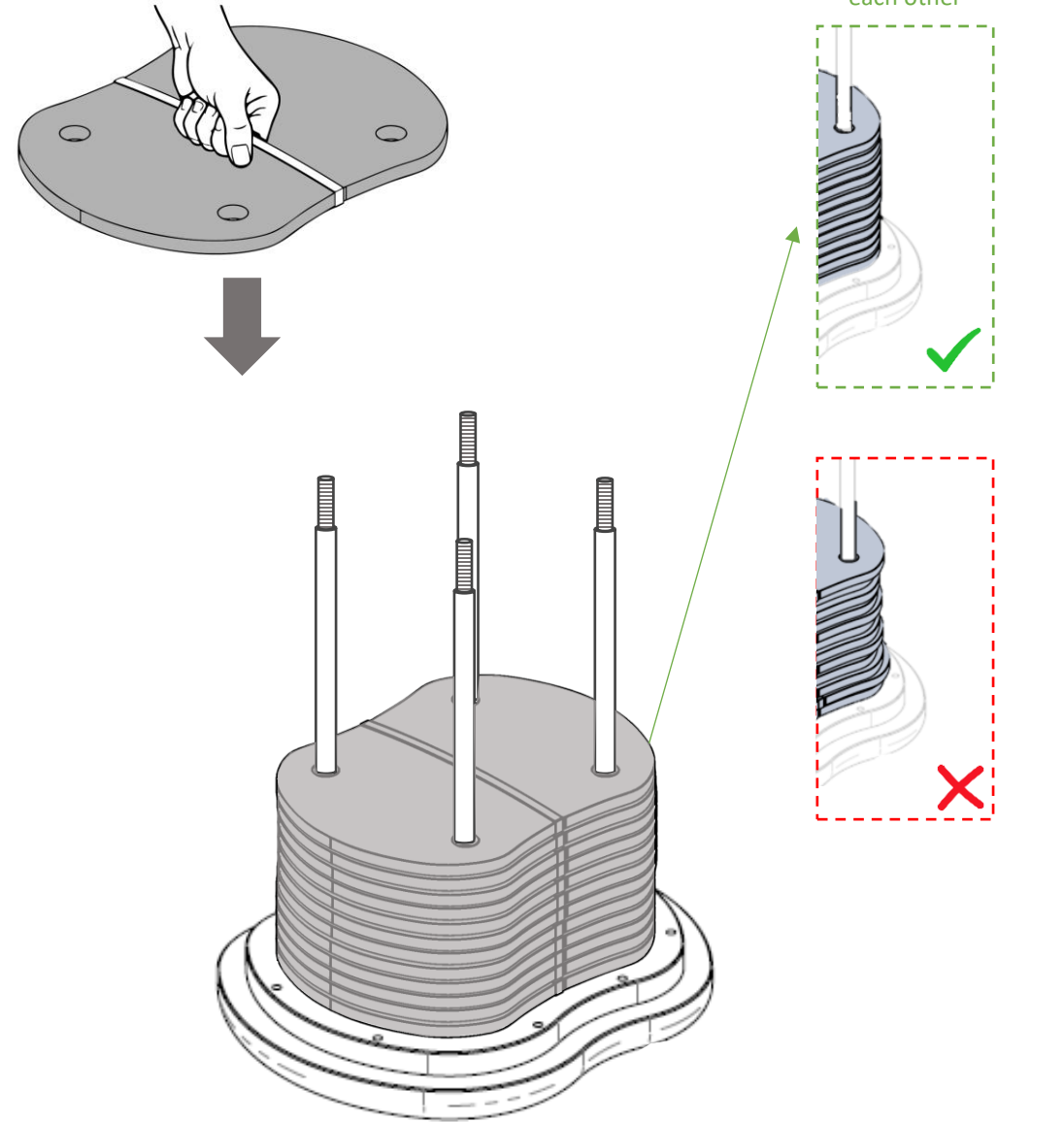
X4



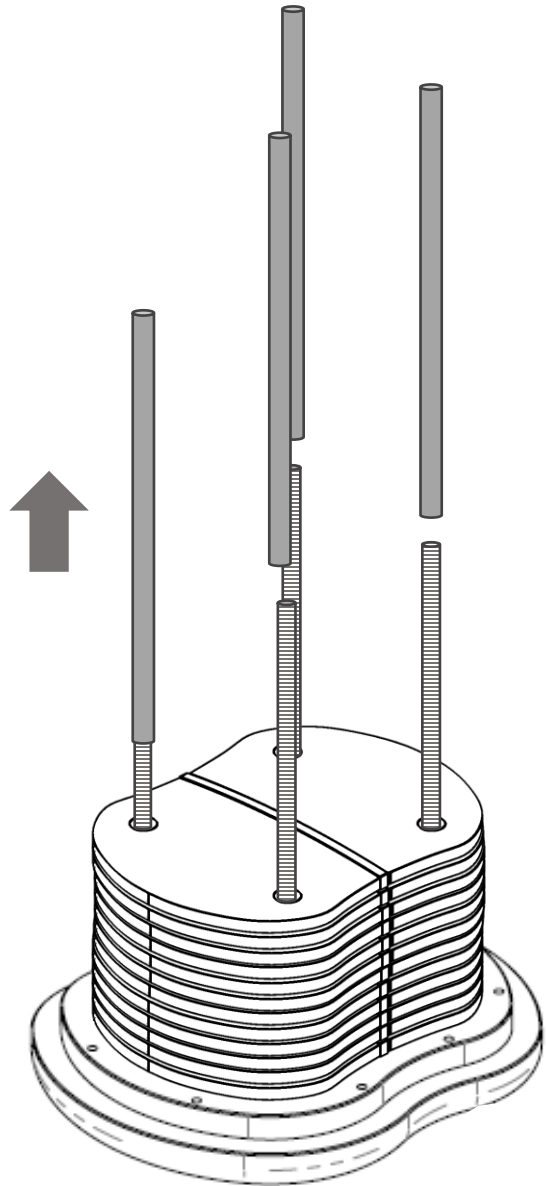
**Step 10:** Place the 4 PVC tubes over the threads so there don't get damaged



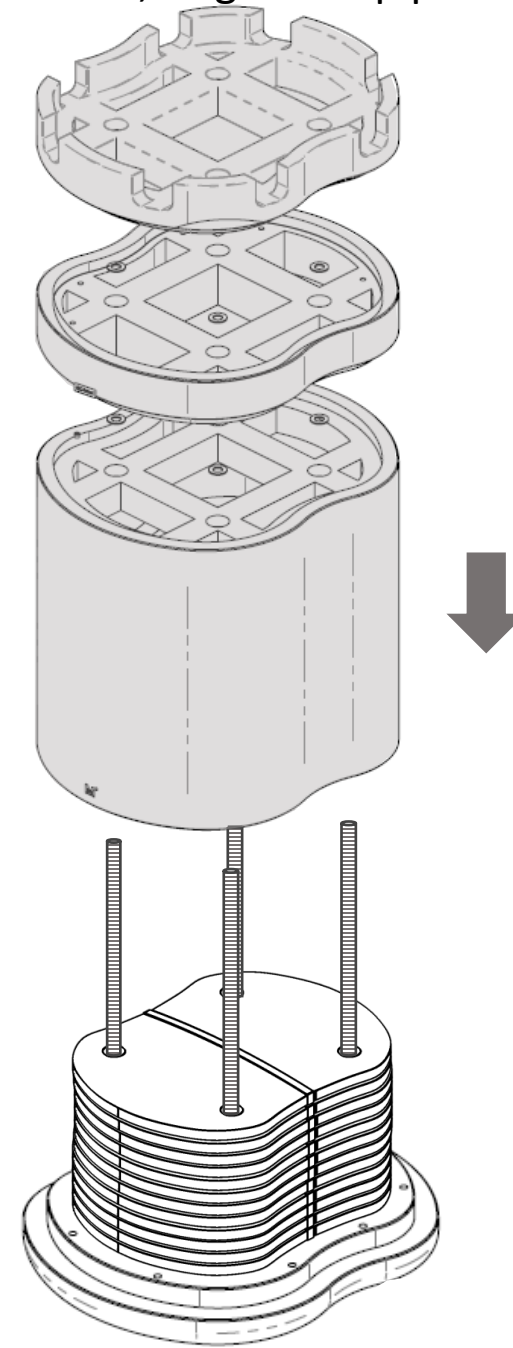
**Step 11:** Add the weight plates using the strap as handle



**Step 12:** Remove the plastic PVC tubes

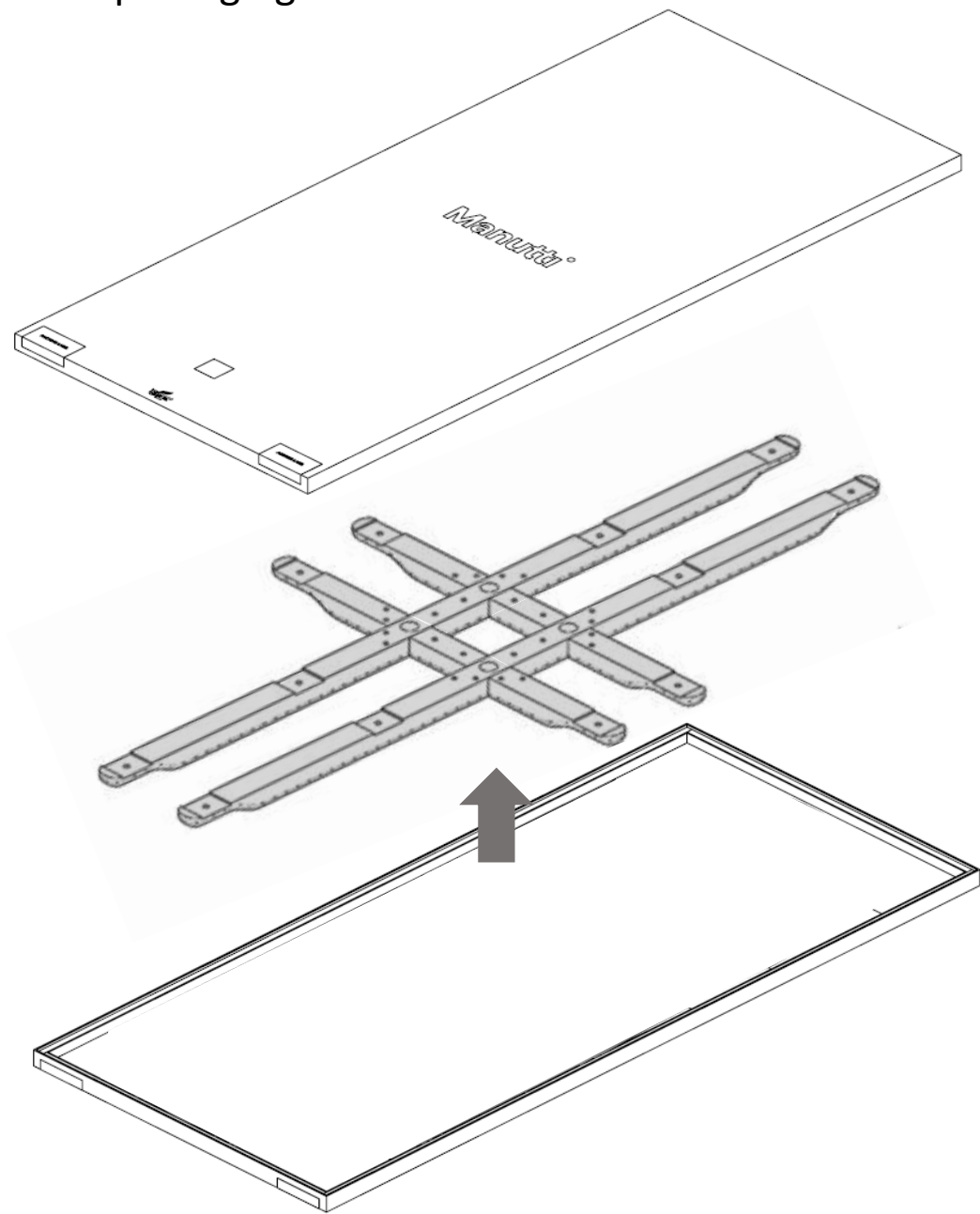
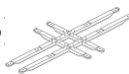


**Step 13:** Replace the shell, ring and top part onto the base.

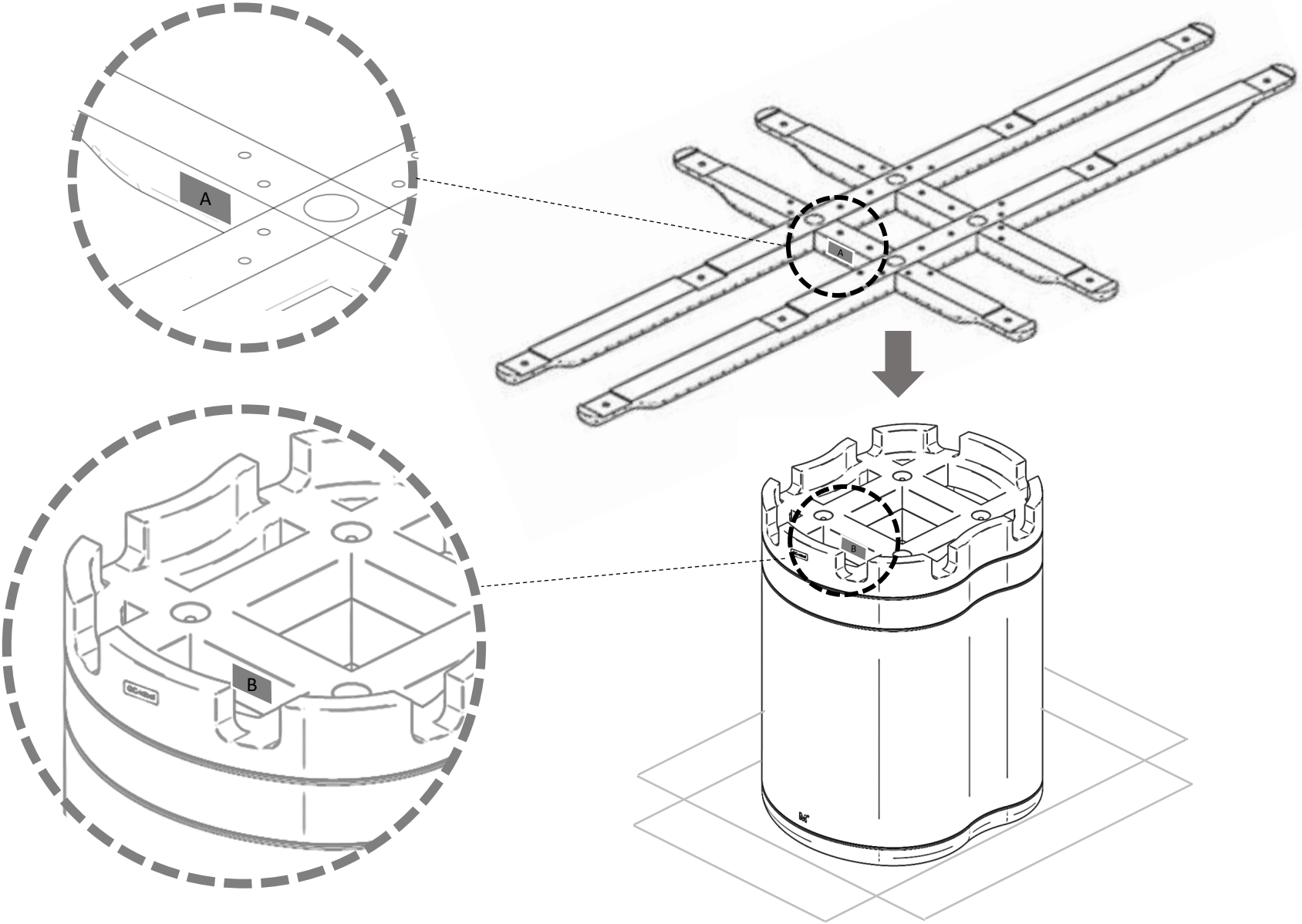


**Step 14:** Take out the crown apron (APR190X95)

out the packaging



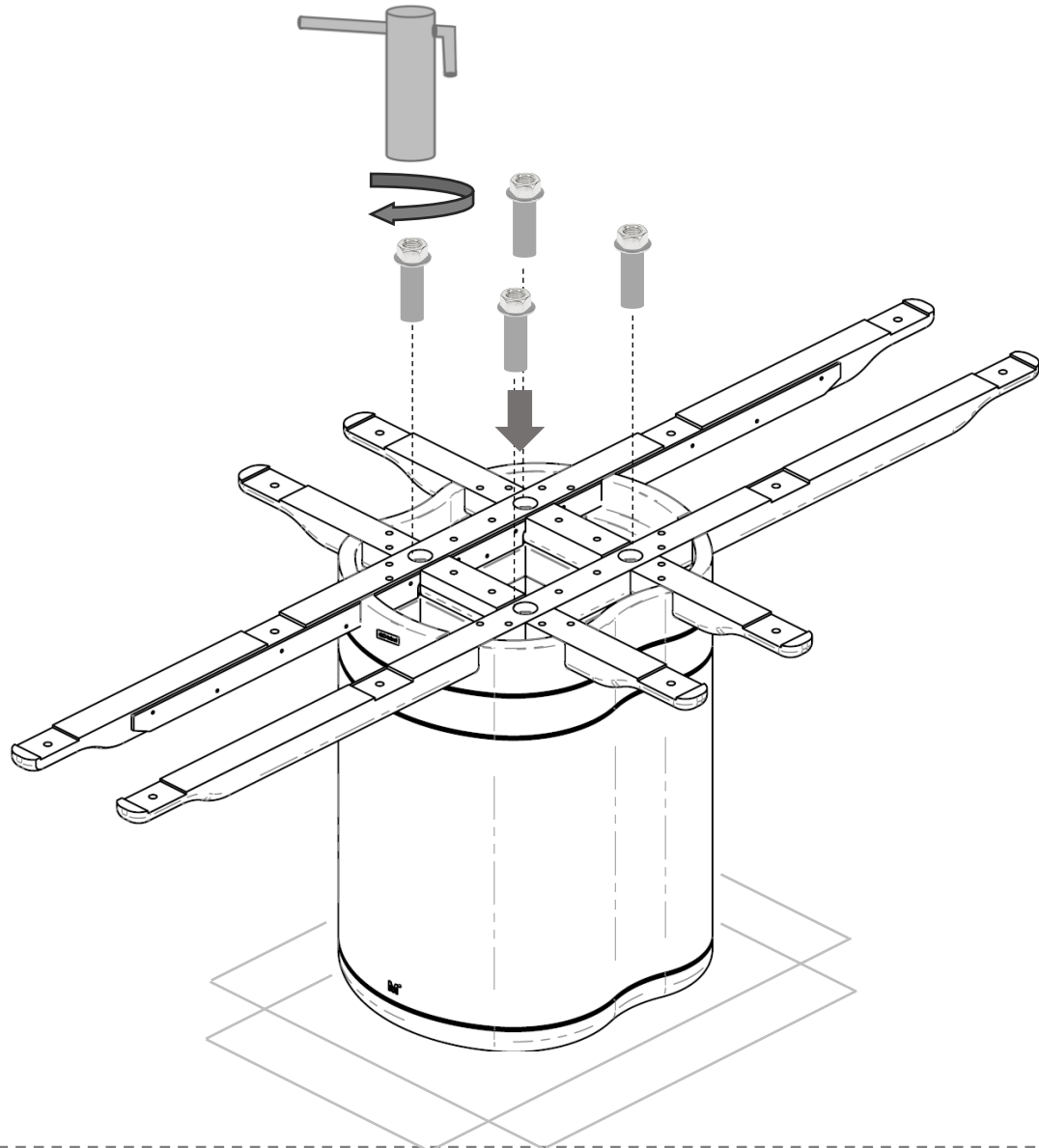
**Step 15:** Place the crown correct on the base ( align 'A' with 'B')



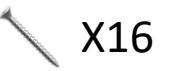
**Step 16:** screw the long bolts back on to the thread with the correct tool



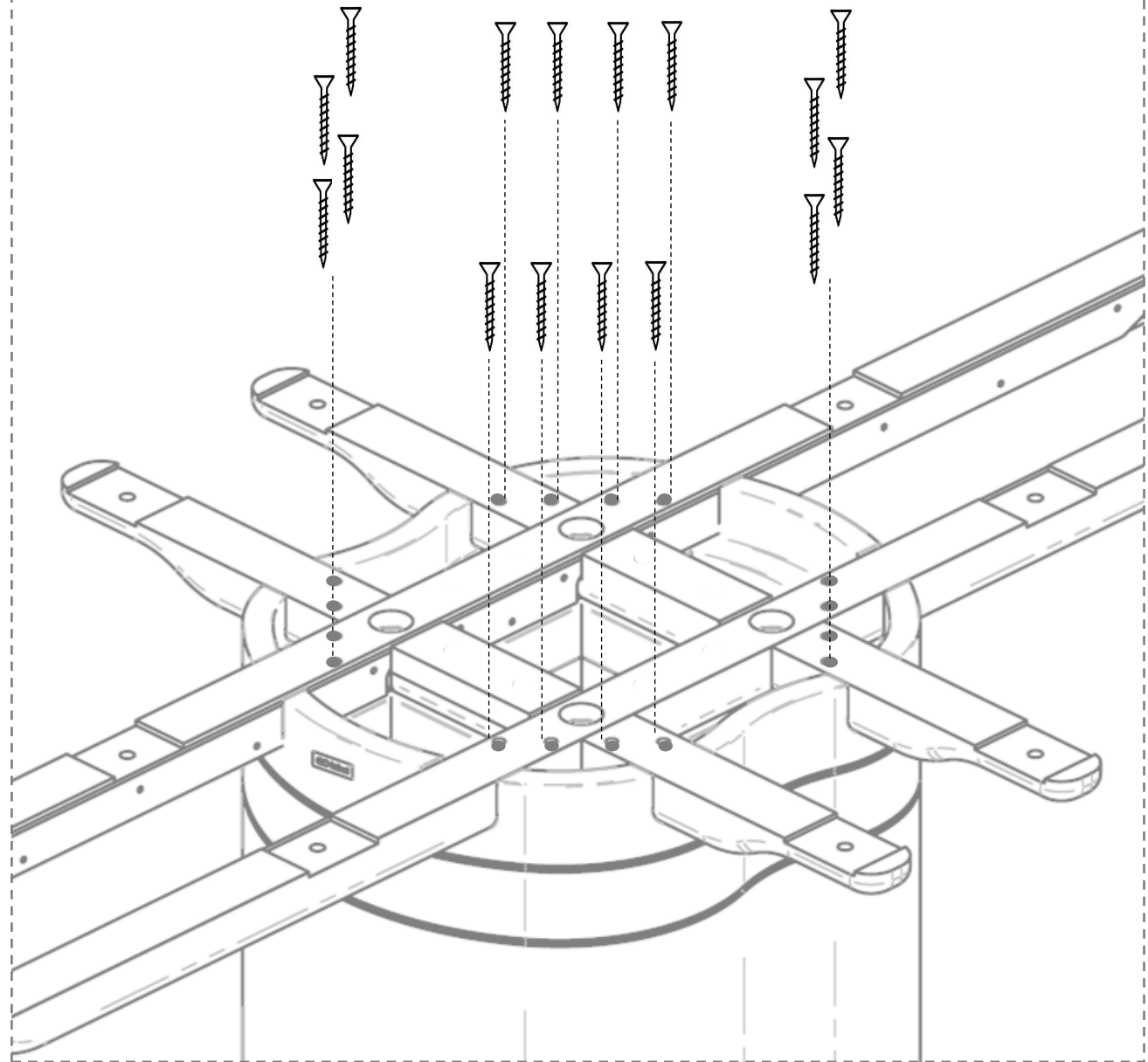
X4



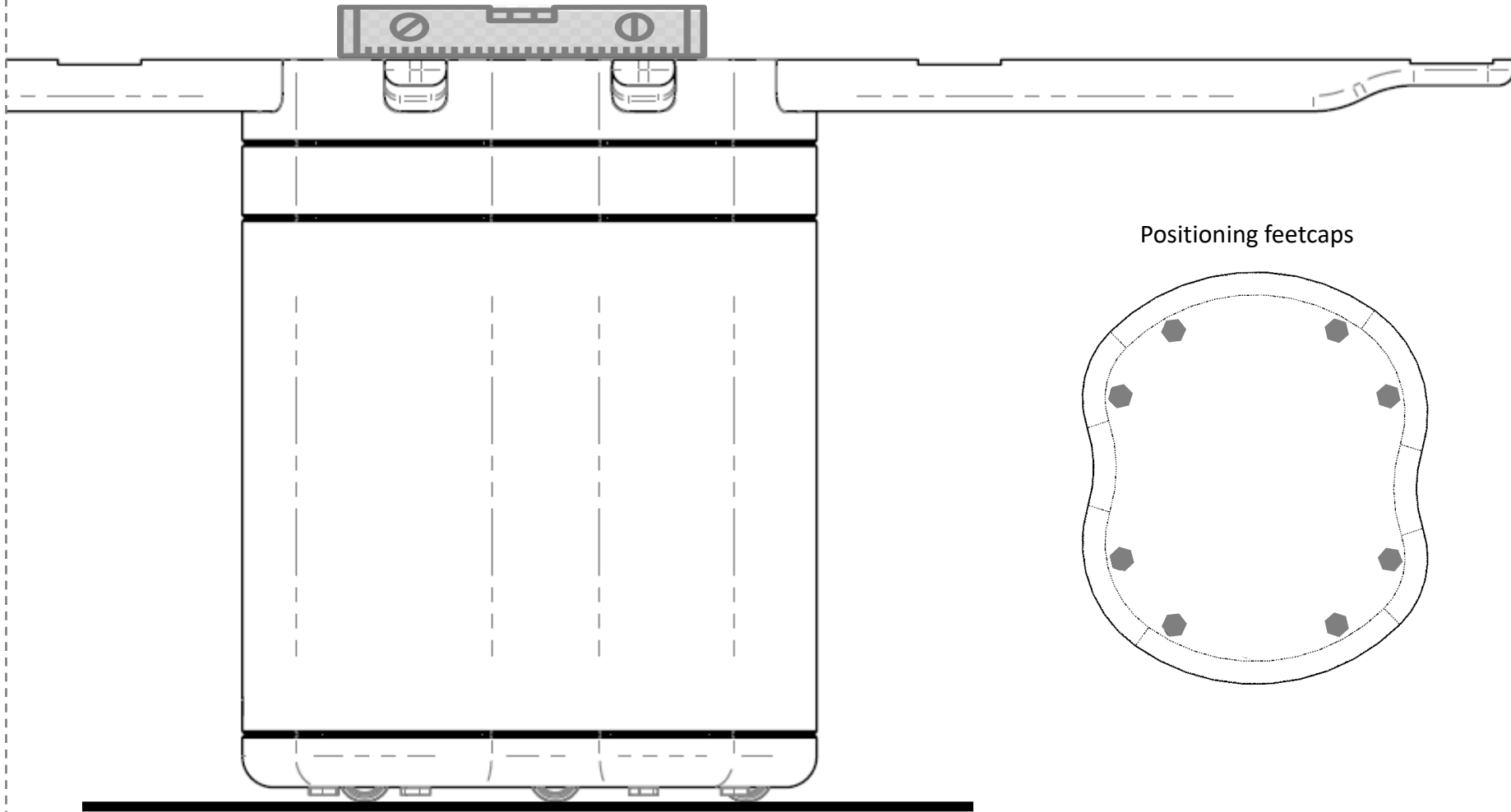
**Step 17:** screw the 16 wood screws in the correct holes



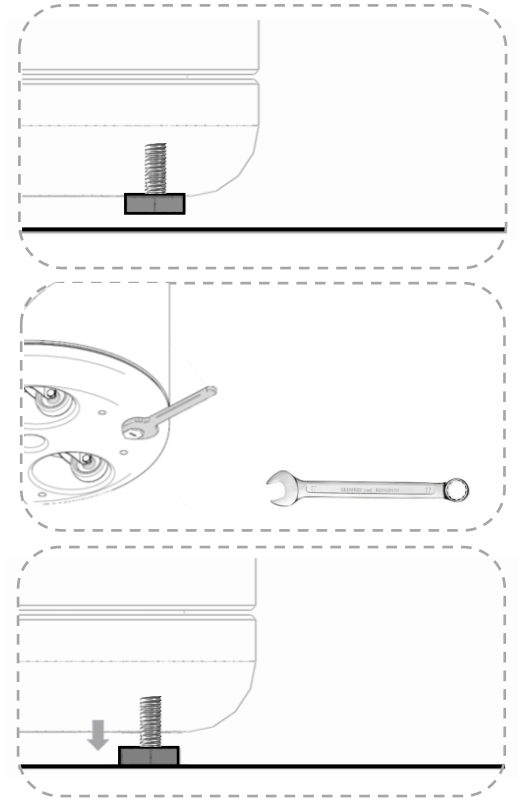
X16



**Step 18:** Level the bases with the adjustable feet caps



Positioning feetcaps



Adjust until the  
wheels don't touch  
the floor anymore

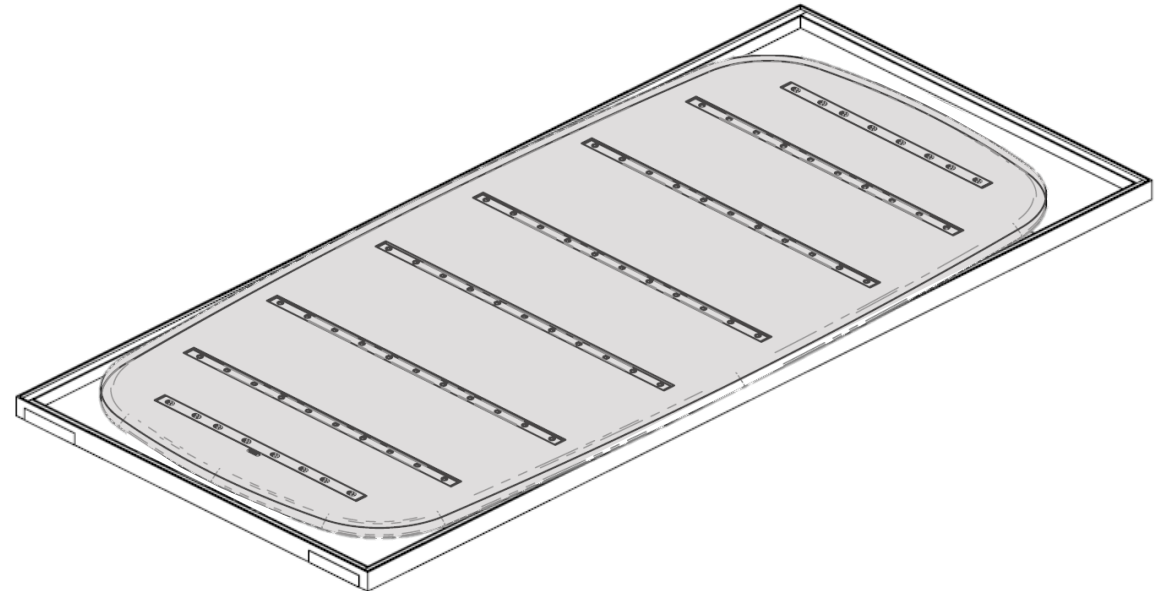
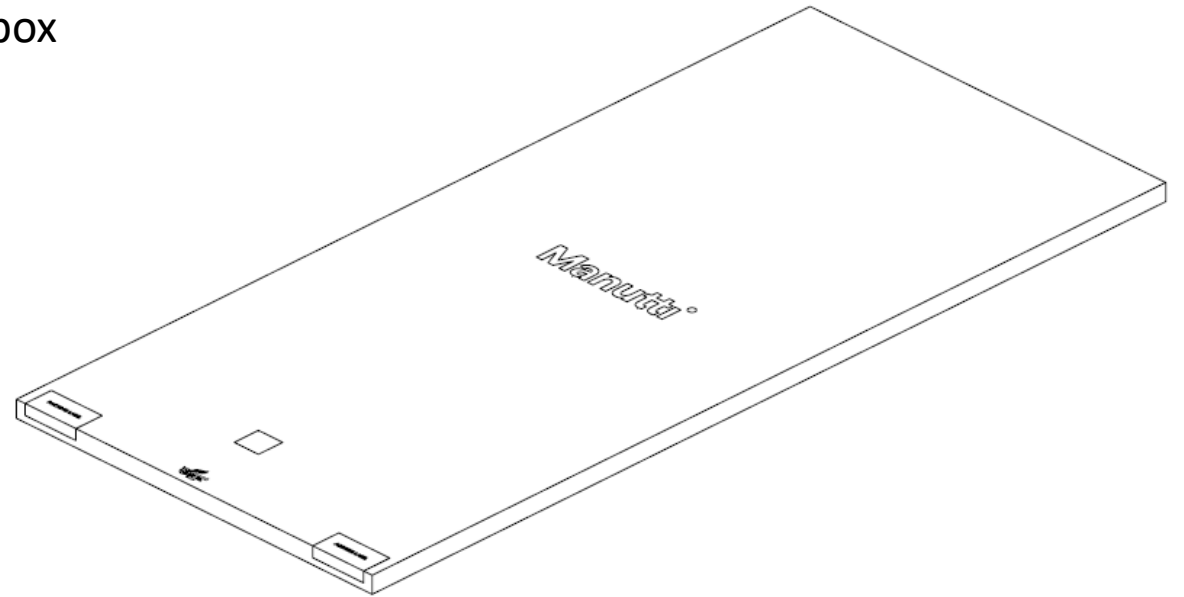
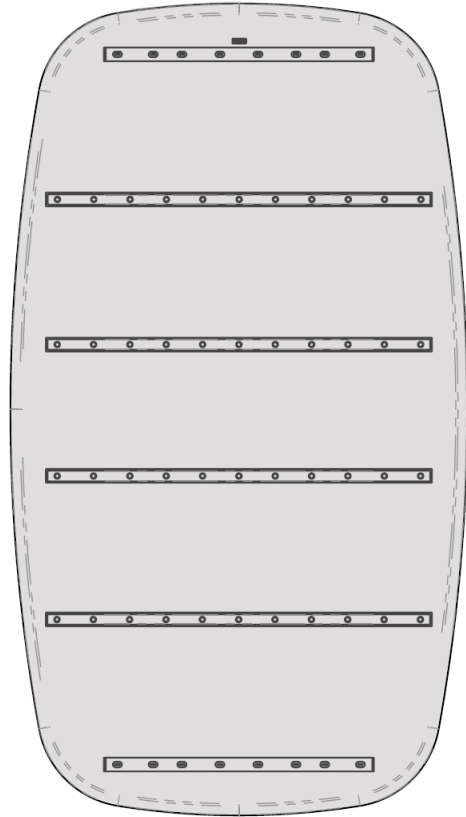
For the installation of a **teak top** go to “**step 19**”

For the installation of a **ceramic top** go to “**step 23**”

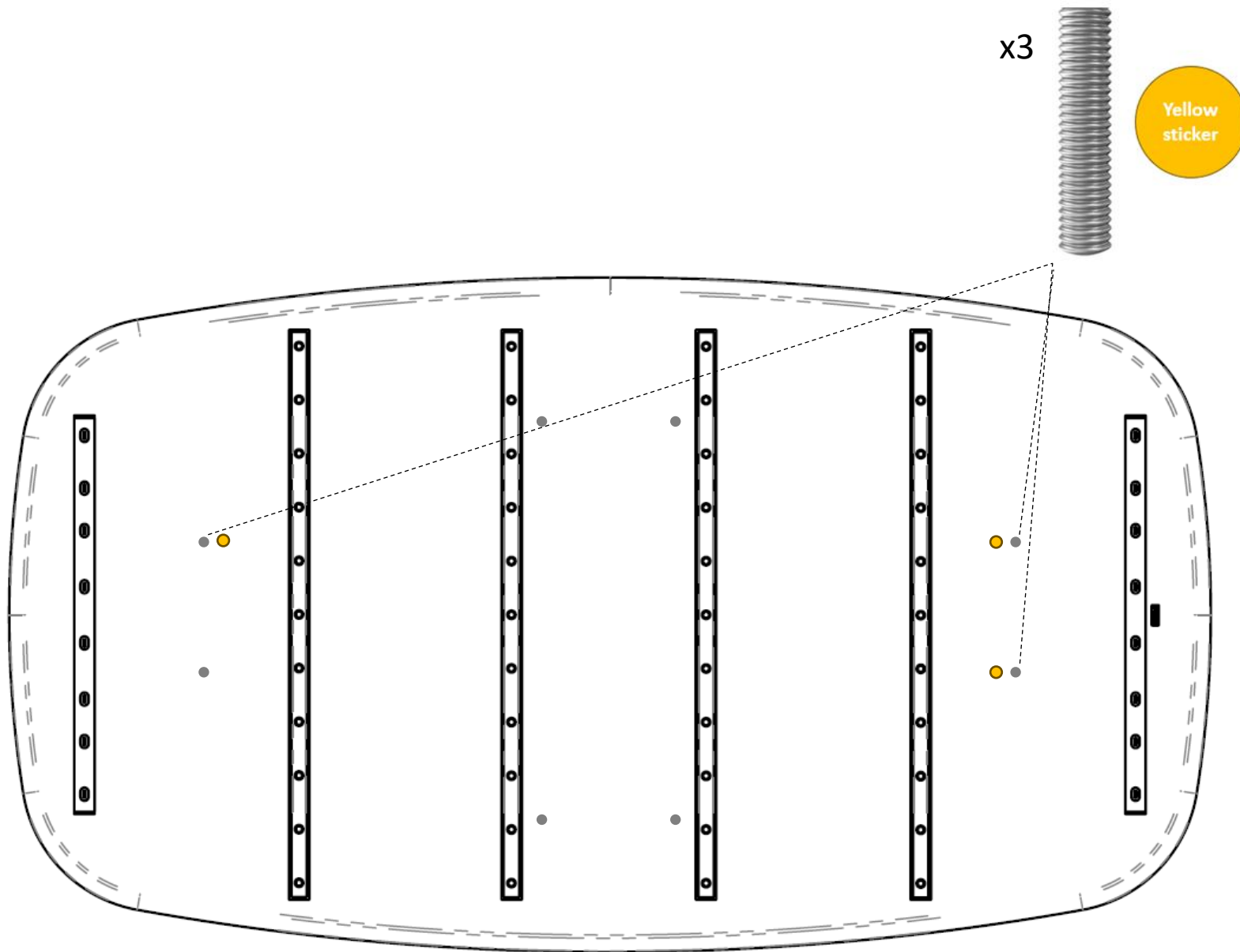
**Step 19 (Teak):** Open the packaging but leave the top in the box

**TOP280x132-BOA/230x132-BOA**

**1x**



**Step 20:** Install the metal rods for easy installation of the top



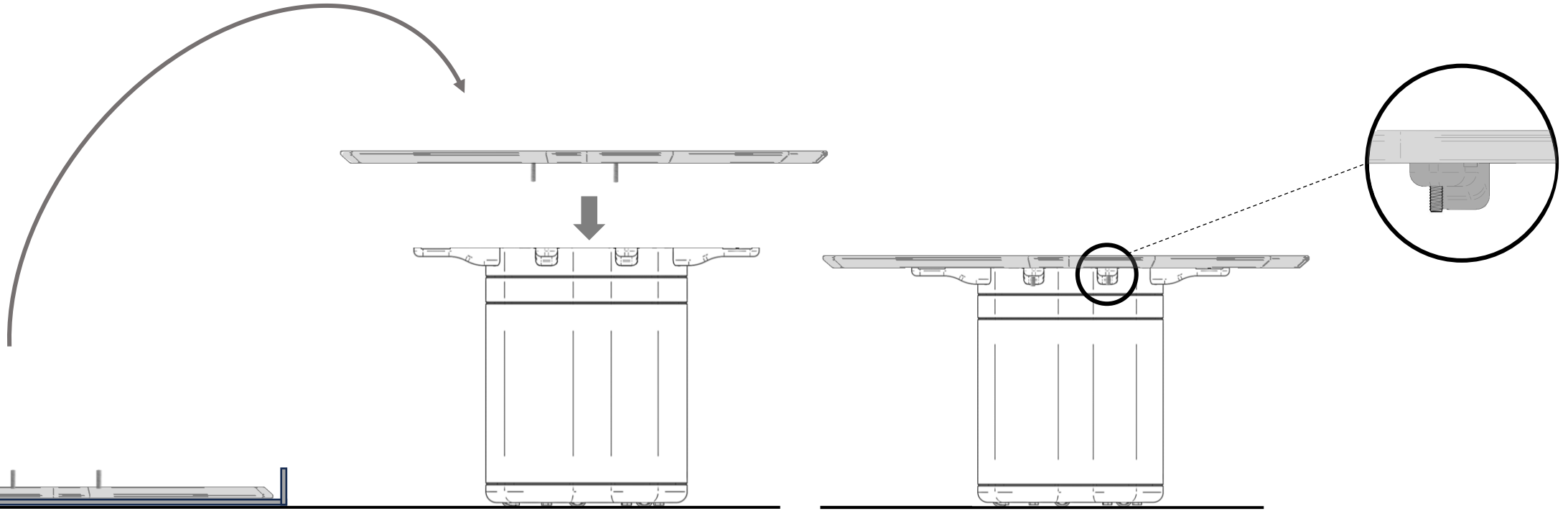
**Ceramic:**  
M5x70



**Teak:**  
M8x70

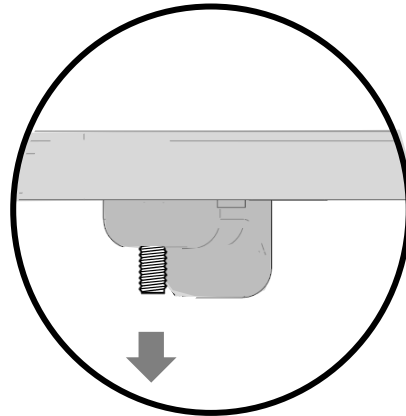
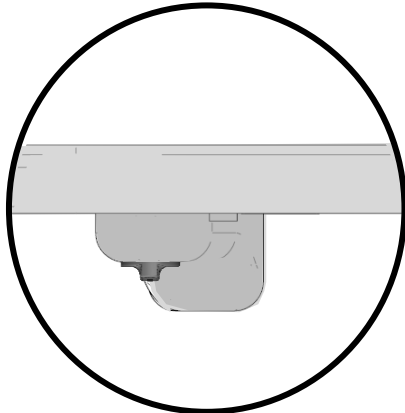
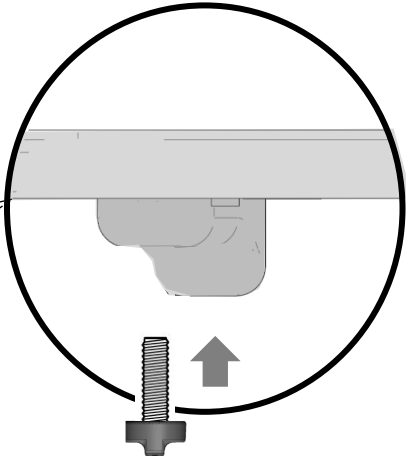
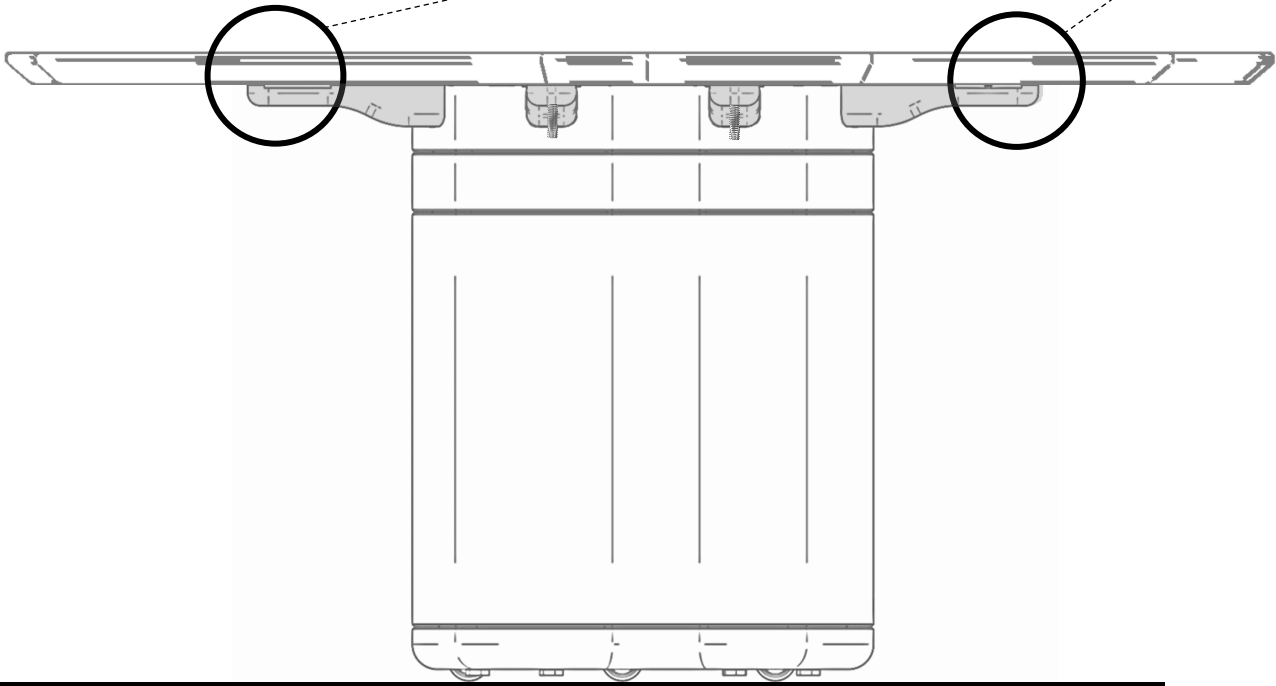
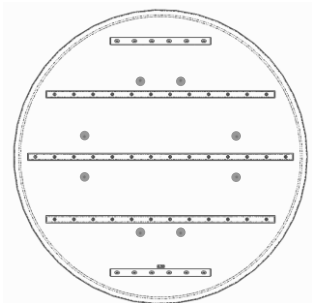


**Step 21:** Take out the top, and place it on the base with min. 4 persons (use the rods as a guide reference for correct installation)



**Step 22:** Assemble the base and the top by using the correct thumbscrews.

x8



After fixation of 4 thumbscrews on both bases, take out the metal rods and install all the thumbscrews (8 in total).

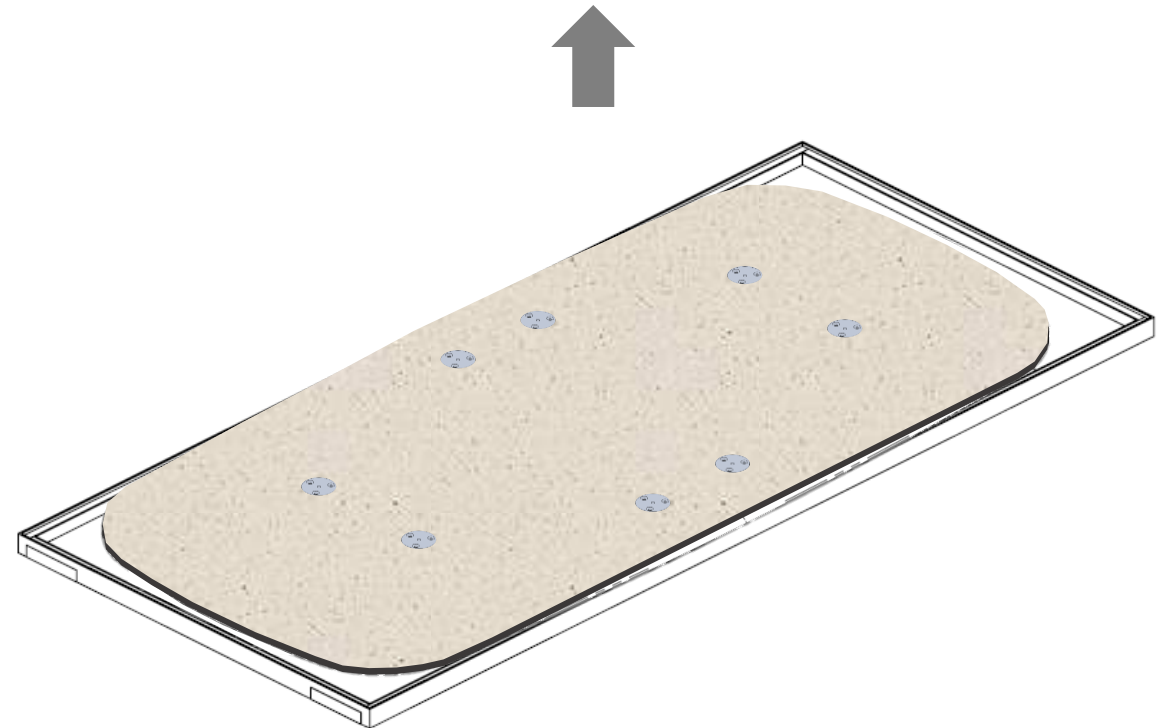
Enjoy the Manutti outdoor moments with Ogado\*



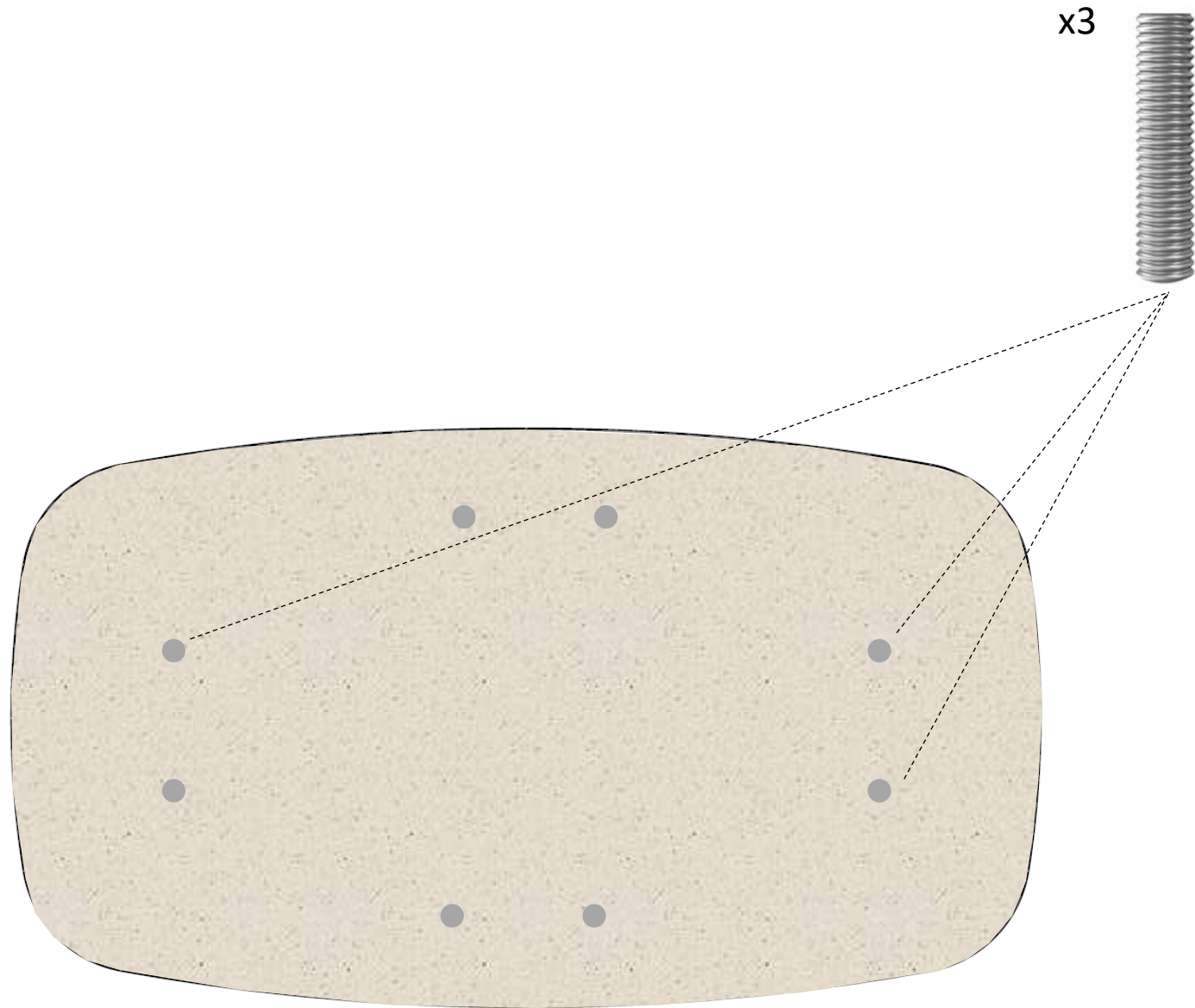
**Step 23 ( Ceramic):** Open the packaging but leave the top in the box

**TOP280x132-BOA**

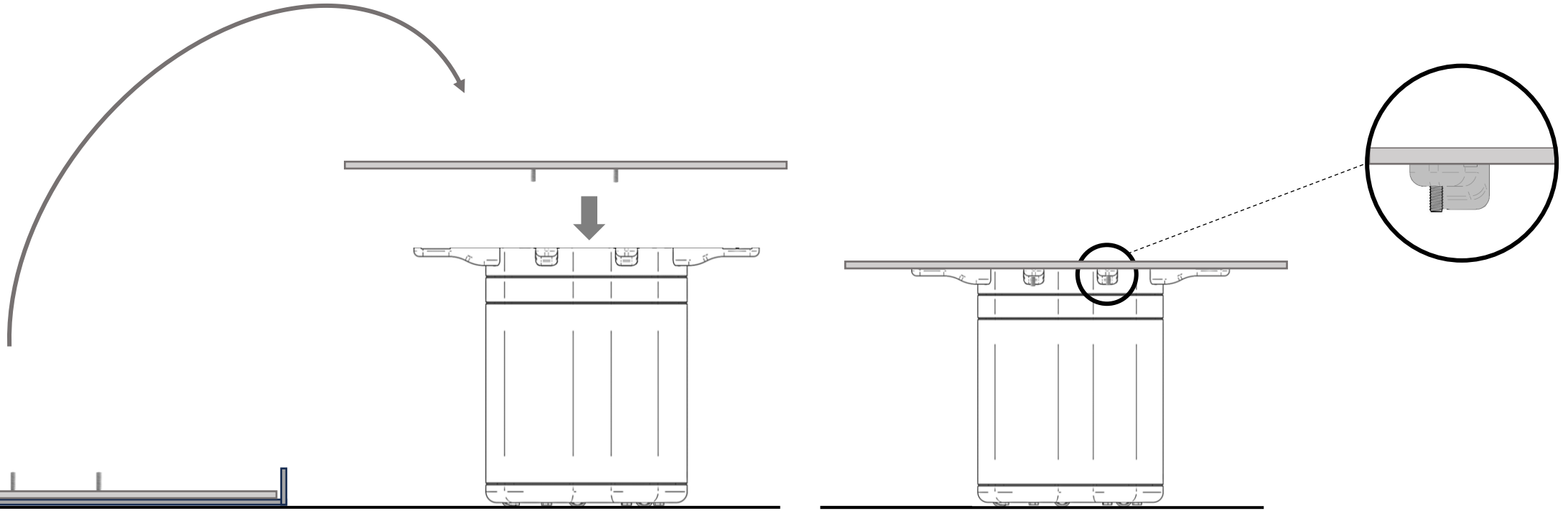
**1x**



**Step 24:** Install the metal rods for easy installation of the top

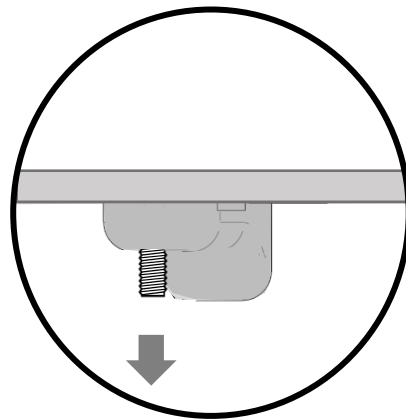
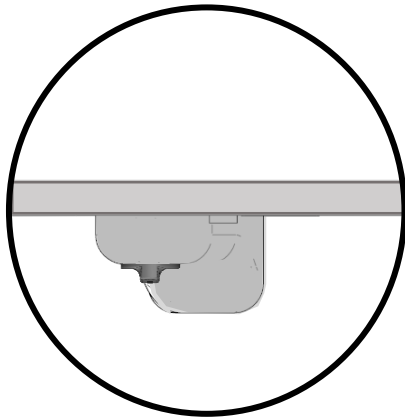
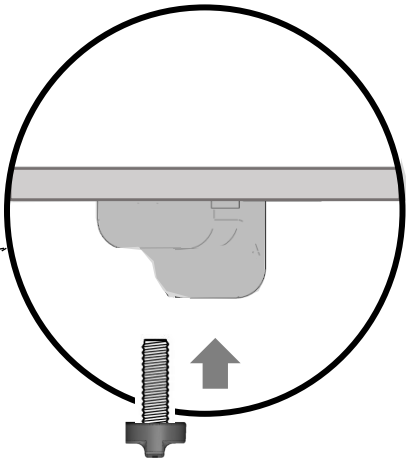
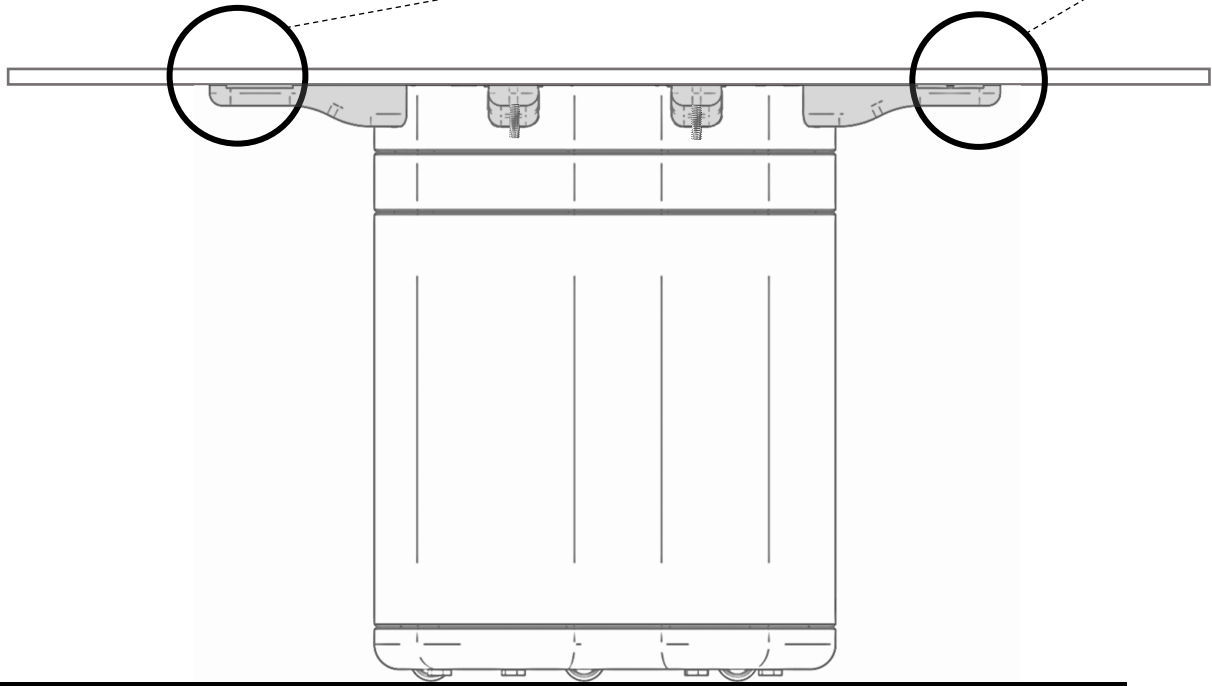


**Step 25:** Take out the top, and place it on the base with min. 4 persons (use the rods as a guide reference for correct installation)



**Step 26:** Assemble the base and the top by using the correct thumbscrews.

x8



After fixation of 4 thumbscrews on both bases, take out the metal rods and install all the thumbscrews (8 in total).

Enjoy the Manutti outdoor moments with Ogado\*

